



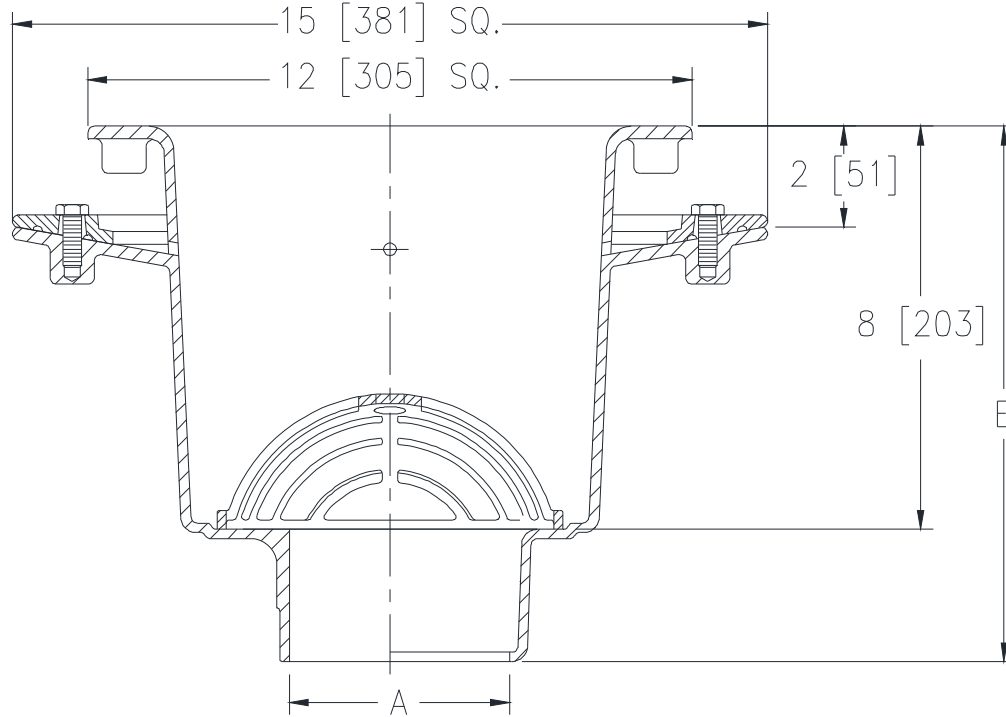
Z1901-KC-1

12 x 12 [305 x 305] A.R.E. SANI-FLOR RECEPTOR
8 [203] SUMP DEPTH LESS GRATE W/ ANCHOR FLANGE &
SEEPAGE HOLES W/ CLAMP COLLAR

SPECIFICATION SHEET

TAG _____

Dimensional Data (inches and [mm]) are Subject to Manufacturing Tolerances and Change Without Notice



A- Pipe Size In. [mm]	Approx Wt. Lbs. [kg]
2, 3, 4 [51, 76, 102]	34 [15]

ENGINEERING SPECIFICATION: ZURN Z1901-KC-1

Sani-Flor Receptor 12" x 12" x 8" [305mm x 305mm x 203mm] Deep cast iron body with anchor flange with seepage holes and clamping collar, white acid resisting porcelain enamel interior and top, and black ground enamel exterior coating, complete with ABS anti-splash interior bottom dome strainer.

OPTIONS (Check/specify appropriate options)

PIPE SIZE

- 3, 4 [76, 102]
- 2, 3, 4 [51, 76, 102]
- 2, 3, 4 [51, 76, 102]

(Specify size/type) OUTLET

- ___ IC Inside Caulk
- ___ NH No-Hub
- ___ NL Neo-Loc

'E' BODY HT. DIMENSION

Z

ZN / ZS

- | | |
|--------------|--------------|
| 10-5/8 [270] | 11-1/8 [283] |
| 10-5/8 [270] | 11-1/8 [283] |
| 10 [254] | 10-1/2 [267] |

PREFIXES

- ___ Z Cast Iron Body with White A.R.E. Interior*
- ___ ZN Cast Iron Body with White A.R.E. Interior, 12-1/2 [318] Square N.B. Frame (Add 1/2 [13] to 12 [305] Dim.)
- ___ ZS Cast Iron Body with White A.R.E. Interior, 12-1/2 [318] Square Stainless Steel Frame (Add 1/2 [13] to 12 [305] Dim.)

SUFFIXES

- ___ -DX Dex-o-Tex Flange (ZN only)
- ___ -LD (Less) Bottom Dome Strainer
- ___ -P 1/2 [13] Trap Primer Connection (See Z1023)
- ___ -TC Neo-Loc Test Cap Gasket (2, 3, 4 [51, 76, 102] NL Bottom Outlet Only)
- ___ -VPS Vandal-Proof Strainer
- ___ -23 Aluminum Bucket
- ___ -25 White A.R.C. Bucket
- ___ -31 Stainless Steel Mesh Liner for Bucket
- ___ -32 Aluminum Dome Strainer
- ___ -33 White A.R.C. Anti-Splash Bottom Dome Strainer

* Regularly furnished unless otherwise specified.

Zurn Industries, LLC | Specification Drainage Operation
1801 Pittsburgh Avenue, Erie, PA U.S.A. 16502 · Ph. 855-663-9876, Fax 814-454-7929
In Canada | Zurn Industries Limited
3544 Nashua Drive, Mississauga, Ontario L4V 1L2 · Ph. 905-405-8272, Fax 905-405-1292
www.zurn.com

Rev. C
Date: 10/11/2017
C.N. No. 138719
Prod. | Dwg. No. Z1901-KC-1