



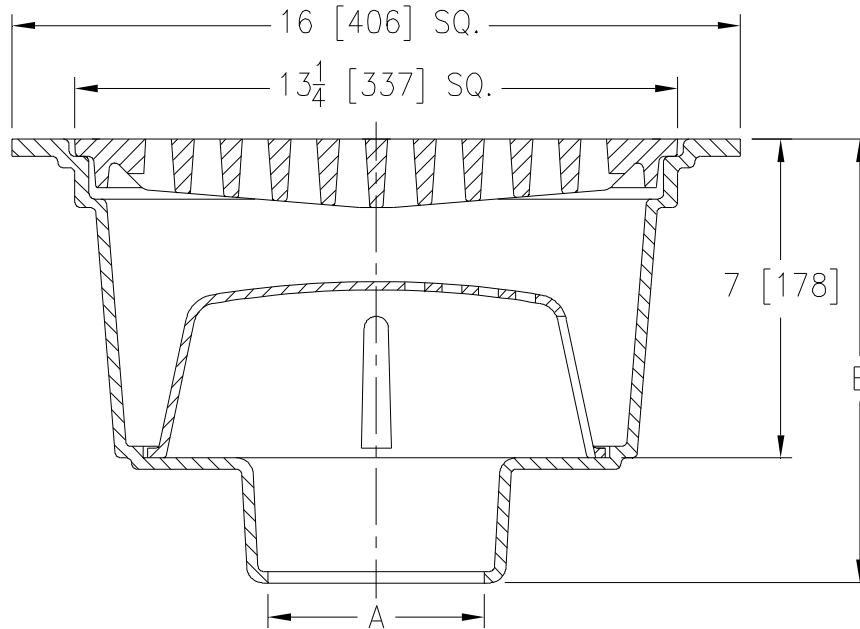
Z1920-11

16 X 16 [406 X 406] A.R.C. SANI-FLOR RECEPTOR 7 [178]
SUMP DEPTH W/ VANDAL-PROOF SECURED GRATE

SPECIFICATION SHEET

TAG _____

Dimensional Data (inches and [mm]) are Subject to Manufacturing Tolerances and Change Without Notice



| | |
|----------------------------------|----------------------------|
| A- Pipe Size In. [mm] | Approx Wt. Lbs. [kg] |
| 2,3,4,6,8 [51,76,102,152,203] | 77 [35] |

ENGINEERING SPECIFICATION: ZURNZ1920-11

Sani-Flor Receptor 16" x 16" x 7" [406mm x 406mm x 178mm] deep cast iron body and vandal proof secured heavy duty grate, with white acid resisting epoxy coated interior and top, complete with aluminum anti-splash interior bottom dome strainer.

OPTIONS (Check/specify appropriate options)

PIPE SIZE

(Specify size/type) **OUTLET**

'E' BODY HT. DIMENSION

2, 3, 4, 6 [51, 76, 102, 152]
8 [203]
2, 3, 4 [51, 76, 102]

___ IC Inside Caulk
___ IC Inside Caulk
___ NL Neo-Loc

| | |
|--------------|--------------|
| Z | ZN |
| 9-3/4 [248] | 10 [254] |
| 10-1/4 [260] | 10-1/2 [267] |
| 9 [229] | 9-3/16 [233] |

PREFIXES

- ___ Z Cast Iron Body with White A.R.C. Interior*
- ___ ZN Cast Iron Body with White A.R.C. Interior, 16-1/2 [419] Square Nickel Bronze Frame and Full Grate

SUFFIXES

- | | |
|---|--|
| ___ -K Anchor Flange with Seepage Holes | ___ -4 Grate with 2 [51] Square Center Opening |
| ___ -KC Anchor Flange with Seepage Holes and Clamp Collar | ___ -6 Grate w/ 6 dia x 6 [152 x 152] High Oval Funnel |
| ___ -LD (Less) Internal Bottom Dome Strainer | ___ -8 Grate w/ 8-7/8 x 3-5/8 x 3-3/4 [225 x 92 x 95] High Oval Funnel |
| ___ -P 1/2 [13] Trap Primer Connection | ___ -23 Aluminum Bucket |
| ___ -TC Neo-Loc Test Cap Gasket (2, 3, 4 [51, 76, 102] NL Bottom Outlet Only) | ___ -25 White A.R.C. Bucket |
| ___ -2 1/2 Grate | ___ -31 Stainless Steel Mesh Liner for Bucket |
| ___ -3 3/4 Grate | ___ -33 White A.R.C. Anti-Splash Bottom Dome Strainer |

* Regularly furnished unless otherwise specified.