



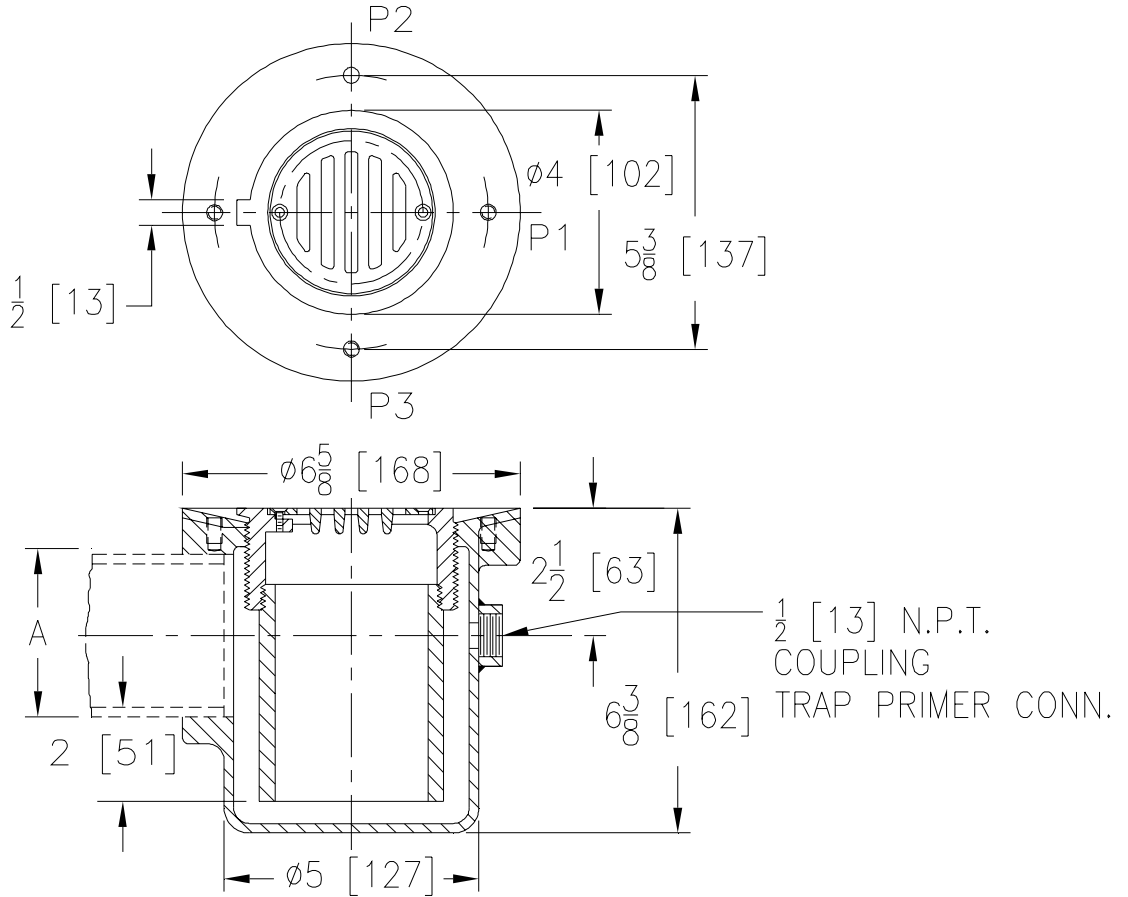
Z355-75

PRISON CELL FLOOR DRAIN W/ TRAP PRIMER CONNECTION

SPECIFICATION SHEET

TAG _____

Dimensional Data (inches and [mm]) are Subject to Manufacturing Tolerances and Change Without Notice



A-Pipe Size Inches	Approx. Wt. Lbs. [kg]	Grate Open Area Sq. In. [cm ²]
2 [51]	13 [6]	3.5 [23]
3 [76]	15 [7]	

ENGINEERING SPECIFICATION: ZURNZN355-75

Prison Cell floor drain, Dura-Coated cast iron body with side outlet, 1/2 [13] N.P.T. trap primer connection, integral trap, anchor flange and adjustable nickel bronze slotted strainer secured with spanner type vandal-proof screws.

OPTIONS (Check/specify appropriate options)

PIPE SIZE _____ (Specify size/type) **OUTLET**
 2-3 [51-76] _____ IP Threaded

PREFIXES
 _____ ZB D.C.C.I. Body w/Polished Bronze Top
 _____ ZN D.C.C.I. Body w/Polished Nickel Bronze Top*

SUFFIXES
 _____ -CP Chrome Plated Top
 _____ -G Galvanized Cast Iron
 _____ -P1 Trap Primer Connection (Opposite Outlet)
 _____ -P2 Trap Primer Connection (Left Side Facing Outlet)
 _____ -P3 Trap Primer Connection (Right Side Facing Outlet)

*REGULARLY FURNISHED UNLESS OTHERWISE SPECIFIED

REV.	DATE: 1/18/06	C.N. NO. 94591
DWG. NO. P-15239		PRODUCT NO. Z355-75