



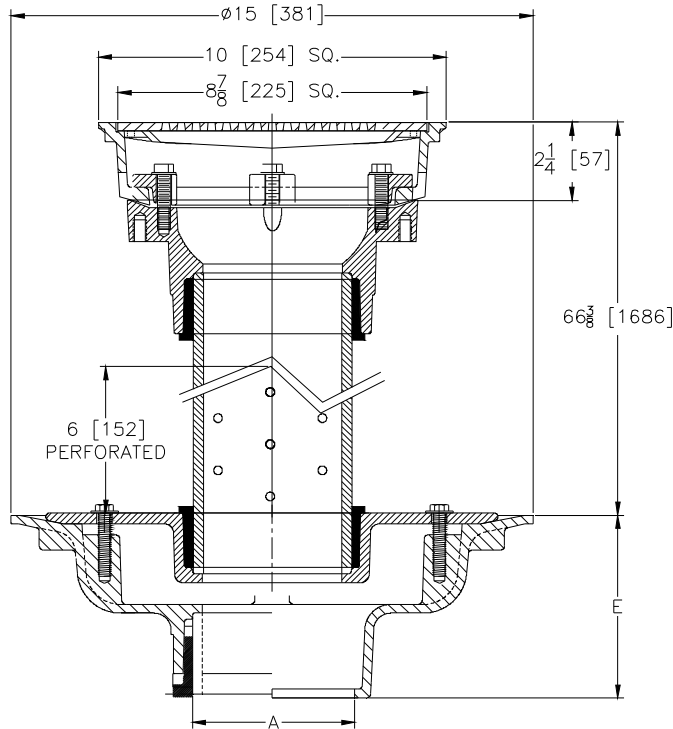
# Z625-106

## ISOLATION DECK DRAIN W/ UPPER Z158 DRAIN

SPECIFICATION SHEET

TAG \_\_\_\_\_

Dimensional Data (inches and [ mm ]) are Subject to Manufacturing Tolerances and Change Without Notice



A Pipe Size In [mm]	Approx. Wt. Lbs. [kg]	Grate Open Area Sq. In. [cm <sup>2</sup> ]
2, 3, 4 [51, 76, 102]	53 [24]	21 [136]
5, 6 [127, 152]		

### ENGINEERING SPECIFICATION: ZURN Z625-106

Adjustable isolation deck drain, Dura-Coated cast iron upper and lower bodies, lower clamp collar with neoprene flex gasket. Upper body with rotatable square promenade frame with seepage openings, frame clamps and light-duty heel-proof grate. Complete with PVC standpipe with (20) 1/4" [6.3mm] seepage holes in bottom of standpipe.

### OPTIONS (Check/specify appropriate options)

#### PIPE SIZE

- 2,3,4,5,6 [51,76,102,127,152]
- 2,3,4,6 [51,76,102,152]
- 2,3,4,5,6 [51,76,102,127,152]
- 2,3,4,5,6 [51,76,102,127,152]
- 2,3,4 [51,76,102]
- 6 [152]

#### (Specify size/type) OUTLET

- \_\_\_ IC Inside Caulk
- \_\_\_ IG Inside Caulk w/Sealtrol Gskt.
- \_\_\_ IP Threaded
- \_\_\_ NH No-Hub
- \_\_\_ NL Neo-Loc
- \_\_\_ NL Neo-Loc

#### 'E' BODY HT. DIM.

- 5-1/4 [133]
- 5-1/4 [133]
- 3-3/4 [95]
- 5-1/4 [133]
- 4-9/16 [116]
- 5-7/16 [138]

#### PREFIXES

- \_\_\_ Z D.C.C.I. Body and Top\*
- \_\_\_ ZB D.C.C.I. Body w/Polished Bronze Top
- \_\_\_ ZN D.C.C.I. Body w/Polished Nickel Bronze Top

#### SUFFIXES

- \_\_\_ -C Underdeck Clamp (Lower Body)
- \_\_\_ -DG Duresist Grate (Z only)
- \_\_\_ -DP Top-Set Roof Deck Plate
- \_\_\_ -G Galvanized Cast Iron
- \_\_\_ -R Sump Receiver (Lower Body)
- \_\_\_ -TC Neo-Loc Test Cap Gasket (2,3,4 [51,76,102] Bottom Outlet Only)
- \_\_\_ -TS Top Secured with Slotted Screws
- \_\_\_ -VP Vandal-Proof Secured Top
- \_\_\_ -Y Sediment Bucket (Upper Body)
- \_\_\_ -90 90° Threaded Side Outlet Body

\* Regularly furnished unless otherwise specified.