



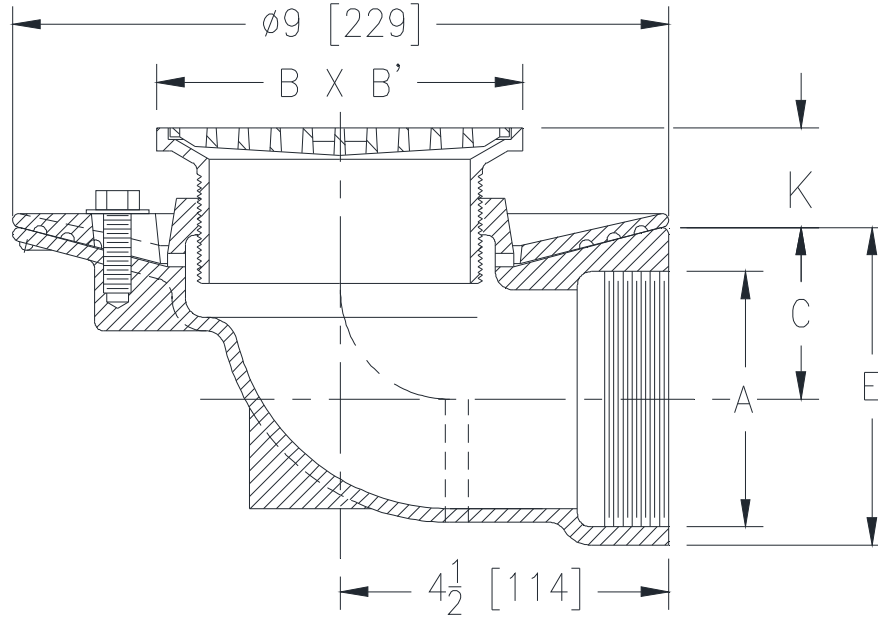
# Z415S-90

## FLOOR & SHOWER DRAIN W/ "TYPE S" STRAINER AND SIDE OUTLET

SPECIFICATION SHEET

TAG \_\_\_\_\_

Dimensional Data (inches and [ mm ]) are Subject to Manufacturing Tolerances and Change Without Notice



Dimensions in In [mm]				Approx. Wt. Lbs. [ kg ]	Strainer Open Area Sq. In. [ cm <sup>2</sup> ]
A Pipe Size	B x B' Strainer Top Size	K			
		Min	Max		
2, 3 [51, 76]	5 x 5 [127 x 127]	7/8 [22]	2-3/8 [60]	12 [5]	9 [58]
	6 x 6 [152 x 152]	1-1/8 [29]	2-5/8 [67]	13 [6]	13 [84]
	7 x 7 [178 x 178]	1 [25]	2-5/8 [67]	14 [6]	21 [135]
	8 x 8 [203 x 203]	1-3/8 [35]	2-5/8 [67]	15 [7]	28 [181]
	10 x 10 [254 x 254]	1-3/8 [35]	2-5/8 [67]	21 [10]	28 [181]

**ENGINEERING SPECIFICATION:**

ZURN ZN415S-90  
 Floor and shower drain, Dura-Coated cast iron body with side outlet, clamp collar and adjustable "TYPE S" polished nickel bronze square strainer.

**OPTIONS** (Check/specify appropriate options)

<b>PIPE SIZE</b>	(Specify size)	<b>OUTLET</b>	<b>'C' DIMENSION</b>	<b>'E' BODY HT. DIM</b>
2 [51]	_____ IP	Threaded	3-1/4 [82]	4-7/16 [113]
3 [76]	_____ IP	Threaded	2-3/4 [70]	4-7/16 [113]

**PREFIXES**

- \_\_\_\_\_ ZB D.C.C.I. Body Assembly w/ Polished Bronze Top
- \_\_\_\_\_ ZN D.C.C.I. Body Assembly w/ Polished Nickel Bronze Top\*

**SUFFIXES**

- \_\_\_\_\_ -AR Acid Resisting Epoxy Coated Cast Iron
- \_\_\_\_\_ -CP Chrome Plated Bronze Top
- \_\_\_\_\_ -G Galvanized Cast Iron
- \_\_\_\_\_ -OF Oval Funnel (See Z329-7)  
(6,7,8,10 [152,178,203,254] Strainers Only)
- \_\_\_\_\_ -PC Protective Cover
- \_\_\_\_\_ -U 1-3 [25-76] High Extension Adapter
- \_\_\_\_\_ -V Backwater Valve
- \_\_\_\_\_ -VP Vandal-Proof Secured Top
- \_\_\_\_\_ -Y Sediment Bucket
- \_\_\_\_\_ -4 4 [102] Diameter Funnel

\* Regularly furnished unless otherwise specified.