



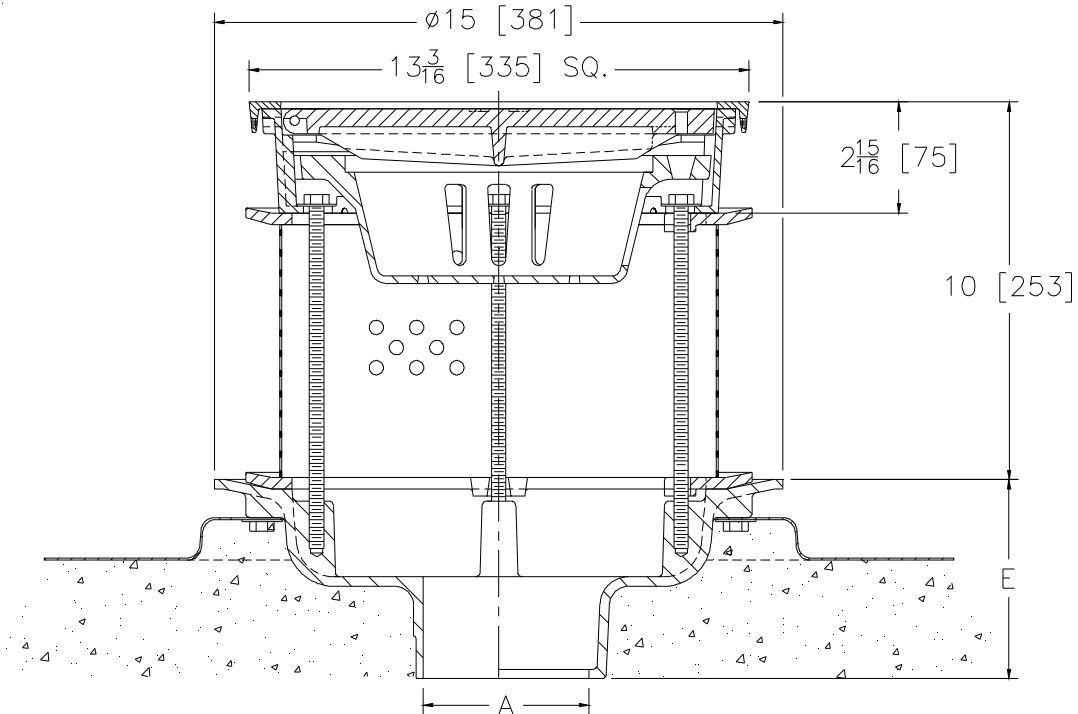
# Z610-125

## 12 [305] SQ. HEAVY-DUTY DRAIN W/ EXTENSION SOLID COVER, BUCKET & DECK PLATE

SPECIFICATION SHEET

TAG \_\_\_\_\_

Dimensional Data (inches and [ mm ]) are Subject to Manufacturing Tolerances and Change Without Notice



A- Pipe Size In.	Approx. Wt. Lbs. [kg]	Grate Open Area Sq. In. [cm <sup>2</sup> ]
2-3-4-5-6 [51-76-102-127-152]	54 [24]	21 [135]
8-10 [203-254]	56 [25]	

### ENGINEERING SPECIFICATION: ZURN Z610-125

12 [305] Square top drain, Dura-Coated cast iron body with bottom outlet, seepage pan and combination membrane flashing clamp, deck plate, secondary clamp collar, perforated extension, frame for heavy duty cast iron loose solid cover and suspended sediment bucket.

### OPTIONS (Check/specify appropriate options)

#### PIPE SIZE

- 2 thru 6, 8, 10 [51 thru 152, 203, 254]
- 2 thru 4, 6 [51 thru 102, 152]
- 2 thru 6, 8, 10 [51 thru 152, 203, 254]
- 2 thru 6, 8, 10 [51 thru 152, 203, 254]
- 2 thru 4 [51 thru 102]

#### (Specify size/type) OUTLET

- \_\_\_ IC Inside Caulk
- \_\_\_ IG Inside Caulk w/Sealtrol Gskt.
- \_\_\_ IP Threaded
- \_\_\_ NH No-Hub
- \_\_\_ NL Neo-Loc

#### 'E' BODY HT. DIM.

- 5-1/4 [133]
- 5-1/4 [133]
- 3-3/4 [95]
- 5-1/4 [133]
- 4-5/8 [117]

#### PREFIXES

- \_\_\_ ZB D.C.C.I Body w/Polished Bronze Top
- \_\_\_ ZN D.C.C.I Body w/Polished Nickel Bronze Top\*

#### SUFFIXES

- \_\_\_ -AR Acid Resistant Epoxy Coated Finish
- \_\_\_ -DG Duresist Grate
- \_\_\_ -DX Dex-o-tex Flange
- \_\_\_ -G Galvanized Cast Iron
- \_\_\_ -P Trap Primer Connection
- \_\_\_ -S Secondary Strainer
- \_\_\_ -V Backwater Valve (See Z1099)
- \_\_\_ -VP Vandal Proof Secured Top
- \_\_\_ -YA Aluminum Sediment Bucket
- \_\_\_ -90 90° Threaded Side Outlet Body

REV. DATE: 06/07/13 C.N. NO. 129481

PROD./DWG. NO. Z610-125

\*REGULARLY FURNISHED UNLESS OTHERWISE SPECIFIED