



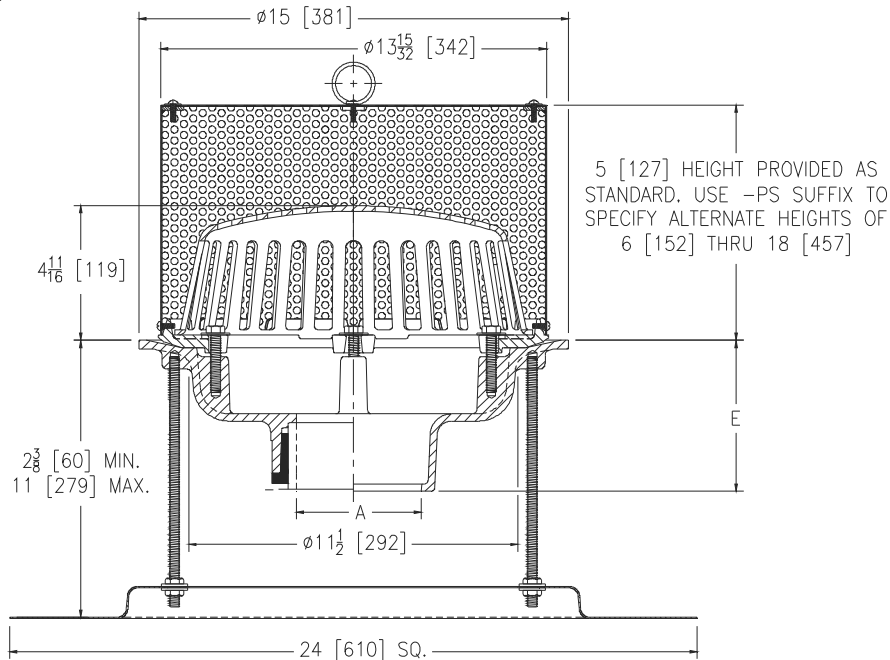
# Z110-78

Ø15 [381] MAIN GREEN ROOF DRAIN W/ PERFORATED SCREEN ASS'Y, REMOVABLE COVER W/ LIFT HANDLE, & STABILIZER ASS'Y

SPECIFICATION SHEET

TAG \_\_\_\_\_

Dimensional Data (inches and [ mm ]) are Subject to Manufacturing Tolerances and Change Without Notice



A - Pipe Size In. [mm]	Approx. Wt. Lbs. [kg]	Dome Open Area Sq. In. [cm <sup>2</sup> ]
2,3,4 [51,76,102]	30 [14]	103 [665]
5,6 [127,152]	32 [15]	
8 [203]	33 [15]	

**ENGINEERING SPECIFICATION: ZURN Z110-78**

Ø15" [381mm] Green Roof Drain. Dura-Coated cast iron body with combination membrane flashing clamp/gravel guard and low silhouette Poly-Dome. Complete with secured type 304 (CF8) stainless steel perforated screen assembly with secured removable access cover with lift handle. Complete with Z1036 Stabilizer Assembly.

**OPTIONS** (Check/specify appropriate options)

**PIPE SIZE**

- 2,3,4,5,6,8 [51,76,102,127,152,203]
- 2,3,4,5,6,8 [51,76,102,127,152,203]
- 2,3,4,5,6,8 [51,76,102,127,152,203]
- 2,3,4 [51,76,102]
- 6 [152]

(Specify size/type) **OUTLET**

- \_\_\_ C Inside Caulk
- \_\_\_ P Threaded
- \_\_\_ NH No-Hub
- \_\_\_ NL Neo-Loc
- \_\_\_ NL Neo-Loc

**E BODY HT. DIM.**

- 5-1/4 [133]
- 3-3/4 [95]
- 5-1/4 [133]
- 4-9/16 [116]
- 5-7/16 [112]

**PREFIXES**

- \_\_\_ Z D.C.C.I. Body with Poly-Dome\*
- \_\_\_ ZA D.C.C.I. Body with Aluminum Dome

- \_\_\_ ZC D.C.C.I. Body with Cast Iron Dome
- \_\_\_ ZRB D.C.C.I. Body with Plain Bronze Dome

**SUFFIXES**

- \_\_\_ -AC Angular Underdeck Clamp
- \_\_\_ -AR Acid Resistant Epoxy Coated
- \_\_\_ -C Underdeck Clamp
- \_\_\_ -DE Deck Extension
- \_\_\_ -DP Top-Set® Deck Plate (Replaces both the -C and -R)
- \_\_\_ -DR Top-Set® Drain Riser
- \_\_\_ -DX Dex-o-tex Flange
- \_\_\_ -E Static Extension 1 [25] thru 4 [102] (Specify Ht.)
- \_\_\_ -EA Adjustable Extension Assembly 2-1/8 [54] thru 3-1/2 [89]
- \_\_\_ -EB Top-Set® Adjustable Extension Assembly
- \_\_\_ -FG Flush Grate (Replaces Dome Strainer)
- \_\_\_ -G Galvanized Cast Iron
- \_\_\_ -GD Galvanized Cast Iron Dome (ZC Only)

- \_\_\_ -PS Perforated Screen 6 [152] thru 18 [457] (Specify Height Required)
- \_\_\_ -R Roof Sump Receiver
- \_\_\_ -SC Secondary Clamp Collar
- \_\_\_ -ST Dome with Solid Top (ZA, ZC & ZRB Only)
- \_\_\_ -TC Neo-Loc Test Cap Gasket (2 - 4 [51 - 102] NL Bottom Outlet Only)
- \_\_\_ -VP Vandal-Proof Secured Screen Cover
- \_\_\_ -W2 2 [51] Internal Water Dam
- \_\_\_ -W3 3 [76] Internal Water Dam
- \_\_\_ -W4 4 [102] Internal Water Dam
- \_\_\_ -85 Stainless Steel Perforated Extension
- \_\_\_ -90 90° Threaded Side Outlet Body (2 thru 6 [51 or 152])

\* Regularly furnished unless otherwise specified.