



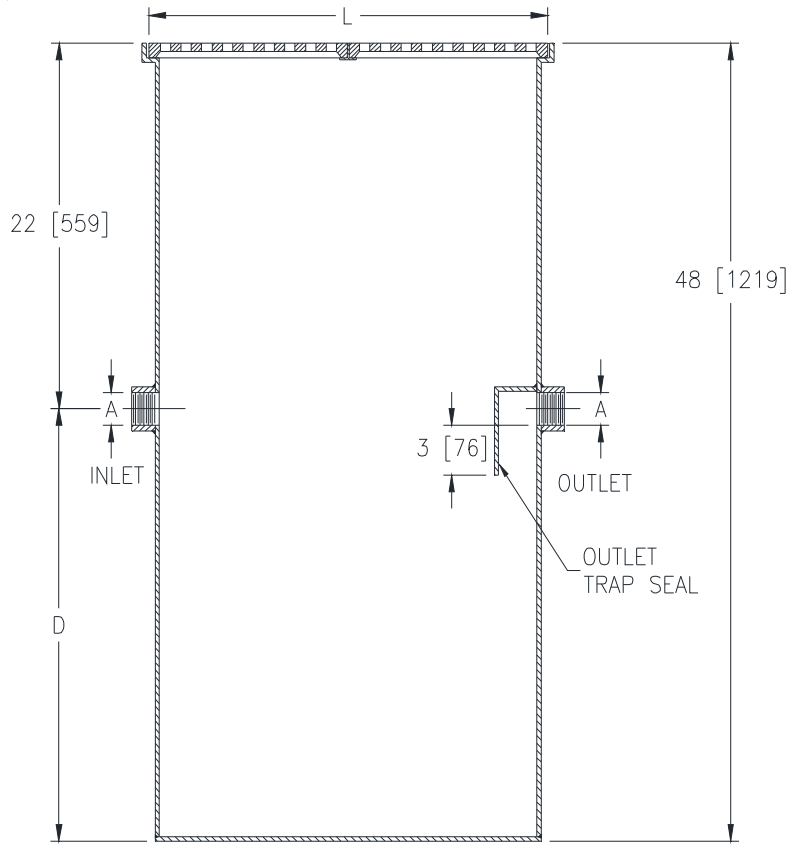
Z1187-SI-129

SAND INTERCEPTOR W/ 10 [254] EXTENSION

SPECIFICATION SHEET

TAG _____

Dimensional Data (inches and [mm]) are Subject to Manufacturing Tolerances and Change Without Notice



*SPECIFY EXTENSION HEIGHT REQUIRED

| Size | Flow GPM [LPM] (max.) | A Pipe Size | L | D | Capacity Gal. [L] (Static) | No. of 12 x 24 [305 x 610] Grates | Width | Approx. Wt. Lbs. [Kg] |
|------|-----------------------------|----------------|----------|----------|----------------------------------|-----------------------------------------|----------|-----------------------------|
| 20 | 20 [76] | 4 [102] | 24 [610] | 26 [660] | 60 [227] | 2 | 24 [610] | 133 [60] |

ENGINEERING SPECIFICATION: ZURNZ1187-SI-129

Acid Resistant Coated interior and exterior fabricated steel sand interceptor with 10" [254 mm] extension, threaded inlet and outlet, complete with removable heavy-duty grates.

OPTIONS (Check/specify appropriate options)

PREFIXES

___ Z Acid Resistant Coated Fabricated Steel*

SUFFIXES

- ___ -DG Duresist Grate
- ___ -NH No-Hub Inlet and Outlet (Specify Size)
- ___ -SC Extra-Heavy-Duty Reinforced Cover(s) for vehicular traffic. (Specify working load requirements)
- ___ -VP Vandal-Proof Screws

* Regularly furnished unless otherwise specified.