



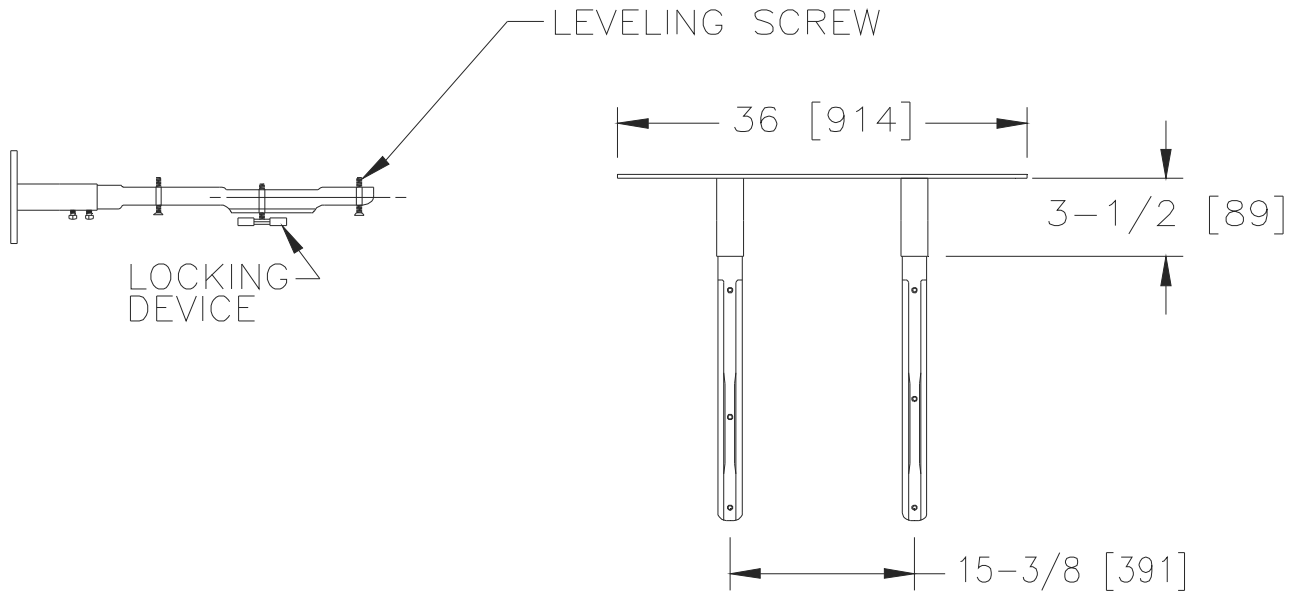
Z1251-85

CONCEALED ARM SYSTEM
WALL SUPPORTED W/ 36 [914] PLATE

SPECIFICATION SHEET

TAG _____

Dimensional Data (inches and [mm]) are Subject to Manufacturing Tolerances and Change Without Notice



| Product No. | Approx. Wt. Lbs. [kg] |
|-------------|-----------------------|
| Z1251-85 | 18 [8] |

ENGINEERING SPECIFICATION: ZURN Z1251-85

36" [914mm] wide lavatory support system with concealed arms. Complete with Dura-Coated support plate with integral steel arm sleeves, concealed arms, and mounting fasteners.

OPTIONS (Check/specify appropriate options)

PREFIXES

___ Z Dura-Coated System with Concealed Arms*

SUFFIXES

- ___ -E2 Concealed Arm Escutcheons 2 [51] Long
- ___ -E4 Concealed Arm Escutcheons 4 [102] Long
- ___ -E6 Concealed Arm Escutcheons 6 [152] Long
- ___ -SL Sleeve Length Over 3-1/2 [89] (Specify Length)
- ___ -W6 6 [152] Wide Support Plate
- ___ -79 Paraplegic Rough-in (7-1/4 [184] sleeves)

* Regularly furnished unless otherwise specified.