



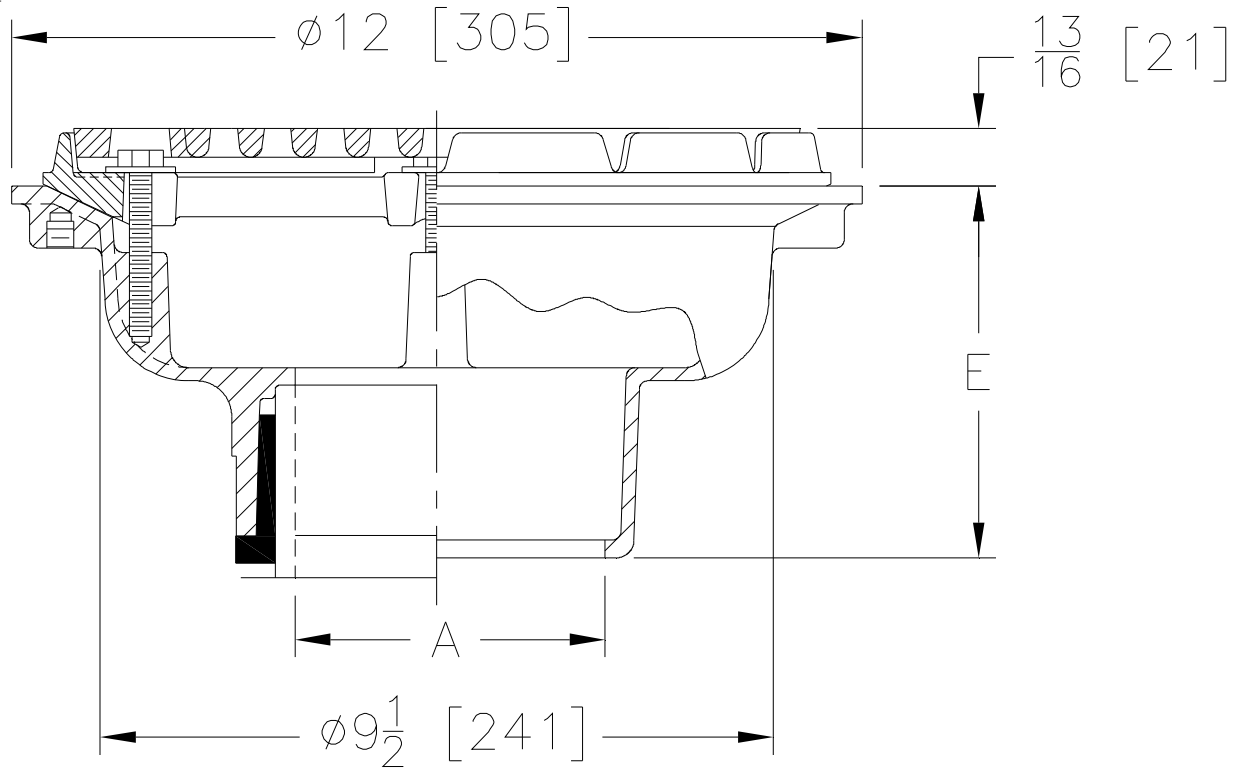
Z121-FG

12 [305] DIAMETER ROOF DRAIN
W/ FLUSH GRATE

SPECIFICATION SHEET

TAG _____

Dimensional Data (inches and [mm]) are Subject to Manufacturing Tolerances and Change Without Notice



A Pipe Size in [mm]	Approx Wt. lbs [kg]	Grate Open Area in ² [cm ²]
2,3,4,6 [51,76,102,152]	22 [10]	23 [148]

ENGINEERING SPECIFICATION: ZURN Z121-FG

12" [305mm] Diameter roof drain. Dura-Coated cast iron body with combination membrane flashing clamp/gravel guard and flat cast iron grate.

OPTIONS (Check/specify appropriate options)

PIPE SIZE

- 2,3,4,6 [51,76,102,152]
- 2,3,4,6 [51,76,102,152]
- 2,3,4,6 [51,76,102,152]
- 2,3,4 [51,76,102]

(Specify size/type) **OUTLET**

- _____ IC Inside Caulk
- _____ IP Threaded
- _____ NH No-Hub
- _____ NL Neo-Loc

E BODY HT. DIM.

- 5-1/4 [133]
- 3-3/4 [95]
- 5-1/4 [133]
- 4-9/16 [116]

PREFIXES

- _____ Z D.C.C.I. Body with Grate*

SUFFIXES

- | | |
|---|--|
| _____ -AR Acid Resistant Epoxy Coated | _____ -SC Secondary Clamping Collar |
| _____ -C Underdeck Clamp | _____ -TC Neo-Loc Test Cap Gasket
(2,3,4 [51,76,102] NL Bottom Outlet Only) |
| _____ -DB Deep Sump Body (IC Only) | _____ -VP Vandal Proof Secured Top |
| _____ -DP Top-Set® Roof Deck Plate
(Replaces both -C and -R) | _____ -XJ Vertical Expansion Joint |
| _____ -E Static Extension 1 [25] thru 4 [102] (Specify Ht.) | _____ -84 Stainless Steel Perforated Gravel Guard |
| _____ -EB Top-Set Adjustable Extension Assembly | _____ -85 Stainless Steel Perforated Extension |
| _____ -G Galvanized Cast Iron | _____ -90 90° Threaded Side Outlet Body |
| _____ -R Roof Sump Receiver | |

* Regularly furnished unless otherwise specified.