

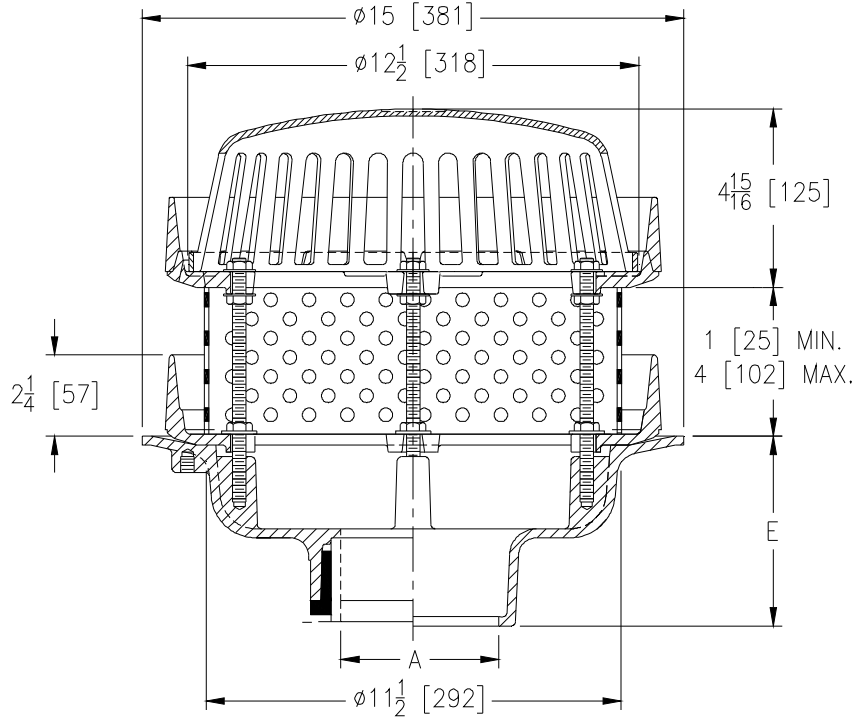


# Z100-240

15 [381] DIAMETER MAIN ROOF DRAIN W/ STAINLESS STEEL PERFORATED EXTENSION & EXTERNAL WATER DAMS

TAG \_\_\_\_\_

Dimensional Data (inches and [mm]) are Subject to Manufacturing Tolerances and Change Without Notice



A Pipe Size In.	Approx. Wt. Lbs. [kg]	Dome Open Area Sq. In. [cm <sup>2</sup> ]
2-3-4 [51-76-102]	28 [13]	103 [665]
5-6 [127-153]	29 [13]	
8 [203]	30 [14]	

**ENGINEERING SPECIFICATION: ZURN Z100-240**

15 [381] Diameter roof drain. Dura-Coated cast iron body with 2 [51] external water dams, perforated extension, low silhouette Poly-Dome strainer with solid top and 2 1/4 [57] high external water dam.

**OPTIONS** (Check/specify appropriate options)

**PIPE SIZE**

- 2 thru 6, 8 [51 thru 153, 203]
- 2 thru 6, 8 [51 thru 153, 203]
- 2 thru 6, 8 [51 thru 153, 203]
- 2,3,4 [52, 76, 102]

(Specify size/type) **OUTLET**

- \_\_\_\_\_ IC Inside Caulk
- \_\_\_\_\_ IP Threaded
- \_\_\_\_\_ NH No-Hub
- \_\_\_\_\_ NL Neo-Loc

**E BODY HT. DIM.**

- 5 1/4 [133]
- 3 3/4 [95]
- 5 1/4 [133]
- 4 5/8 [117]

**PREFIXES**

- \_\_\_\_\_ Z D.C.C.I. Body with Poly-Dome\*
- \_\_\_\_\_ ZA D.C.C.I. Body with 6 3/4 [171] High Aluminum Dome
- \_\_\_\_\_ ZC D.C.C.I. Body with Cast Iron Dome
- \_\_\_\_\_ ZRB D.C.C.I. Body with Plain Bronze Dome

**SUFFIXES**

- \_\_\_\_\_ -AC Angular Underdeck Clamp
- \_\_\_\_\_ -AR Acid Resistant Epoxy Coated
- \_\_\_\_\_ -BS Bronze Mesh Screen Over Dome
- \_\_\_\_\_ -C Underdeck Clamp
- \_\_\_\_\_ -DE Deck Extension
- \_\_\_\_\_ -DP Top-Set® Deck Plate (Replaces both the -C and -R)
- \_\_\_\_\_ -DR Top-Set® Drain Riser
- \_\_\_\_\_ -E Static Extension 1 [25] thru 4 [102] (Specify Ht.)
- \_\_\_\_\_ -EA Adjustable Extension Assembly  
2 1/8 [54] thru 3 1/2 [89]
- \_\_\_\_\_ -EB Top-Set® Adjustable Extension Assembly
- \_\_\_\_\_ -G Galvanized Cast Iron
- \_\_\_\_\_ -GD Galvanized Cast Iron Dome (ZC Only)
- \_\_\_\_\_ -HD 6 3/4 [171] High Aluminum Dome Strainer  
(148 Sq. In. [955 cm<sup>2</sup>] Open Area) (ZA Only)
- \_\_\_\_\_ -R Roof Sump Receiver
- \_\_\_\_\_ -SS Stainless Steel Mesh Screen Over Dome
- \_\_\_\_\_ -TC Neo-Loc Test Cap Gasket  
(2 - 4 [51 - 102] NL Bottom Outlet Only)
- \_\_\_\_\_ -VP Vandal-Proof Secured Top
- \_\_\_\_\_ -90 90° Threaded Side Outlet Body  
(2 thru 6 [51 or 152])

\*REGULARLY FURNISHED UNLESS OTHERWISE SPECIFIED

REV.	DATE: 09/19/11	C.N. NO. 122163
DWG. NO. 307640		PRODUCT NO. Z100-240