



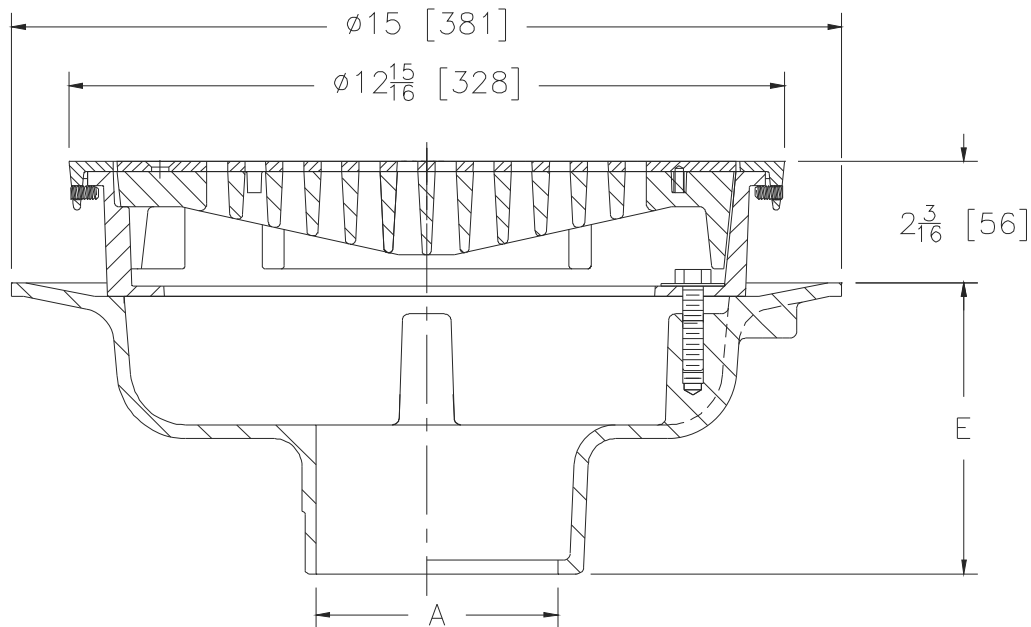
# Z505-98

12 [305] DIAMETER HEAVY-DUTY DRAIN  
WITH STAINLESS STEEL VENEER

SPECIFICATION SHEET

TAG \_\_\_\_\_

Dimensional Data (inches and [ mm ]) are Subject to Manufacturing Tolerances and Change Without Notice



| A- Pipe Size In [mm]          | Approx. Wt. Lbs [kg] | Grate Open Area Sq. In. [cm <sup>2</sup> ] |
|-------------------------------|----------------------|--|
| 2,3,4,5,6 [51,76,102,127,152] | 66 [30]              | 30 [194]                                   |
| 8 [203]                       | 68 [31]              |  |

**ENGINEERING SPECIFICATION: ZURN ZS505-98**

12" [305mm] Diameter top drain. Dura-Coated cast iron body with bottom outlet, seepage pan, and combination membrane flashing clamp and frame for heavy-duty deep flange slotted grate with stainless steel veneer.

**OPTIONS** (Check/specify appropriate options)

**PIPE SIZE**

- 2,3,4,5,6,8 [51,76,102,127,152,203]
- 2,3,4,6 [51,76,102,152]
- 2,3,4,5,6,8 [51,76,102,127,152,203]
- 2,3,4,5,6,8 [51,76,102,127,152,203]
- 2,3,4 [51,76,102]

(Specify size/type) **OUTLET**

- \_\_\_ IC Inside Caulk
- \_\_\_ IG Inside Gasket
- \_\_\_ IP Threaded
- \_\_\_ NH No-Hub
- \_\_\_ NL Neo-Loc

**'E' BODY HT. DIM.**

- 5-1/4 [133]
- 5-1/4 [133]
- 3-3/4 [95]
- 5-1/4 [133]
- 4-5/8 [117]

**PREFIXES**

- \_\_\_ ZS D.C.C.I. Body with Polished Stainless Steel Top\*

**SUFFIXES**

- \_\_\_ -AR Acid Resisting Epoxy Coated Cast Iron
- \_\_\_ -DG Durasist Grate
- \_\_\_ -F Extension Frame  
(Specify Total Height Req'd.)
- \_\_\_ -HP Heel-Proof Grate
- \_\_\_ -P Trap Primer Connection
- \_\_\_ -S Secondary Strainer
- \_\_\_ -SA Stabilizer Assembly (See Z1036)
- \_\_\_ -SS Stainless Mesh Liner for Bucket

- \_\_\_ -TC Neo-Loc Test Cap Gasket  
(2,3,4[50,76,102] NL Bottom Outlet Only)
- \_\_\_ -TS Top Secured with Slotted Screws
- \_\_\_ -V Backwater Valve (See Z1099)
- \_\_\_ -VP Vandal-Proof Secured Top
- \_\_\_ -Y Sediment Bucket
- \_\_\_ -90 90° Threaded Side Outlet Body  
(2,3,4,5,6 [50,76,102,127,152.4] Only)

\* Regularly furnished unless otherwise specified.