



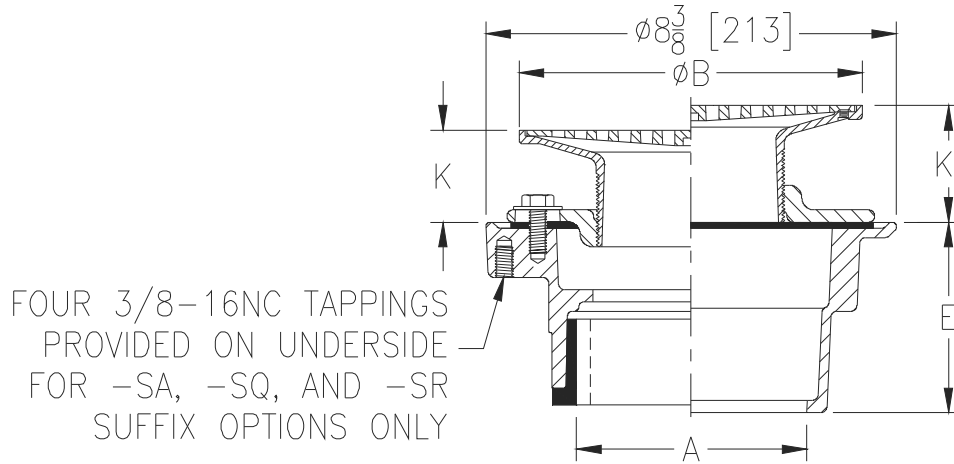
# Z415B-126

## BODY ASSEMBY W/ "TYPE B" STRAINER W/ GASKETED SOLID CLAMPING COLLAR

SPECIFICATION SHEET

TAG \_\_\_\_\_

Dimensional Data (inches and [ mm ]) are Subject to Manufacturing Tolerances and Change Without Notice



Dimensions in In [mm]						Approx. Wt. Lbs. [kg]	Strainer Open Area Sq. In. [cm <sup>2</sup> ]
A Pipe Size	B Strainer Dia.	K		K'			
		Min.	Max.	Min.	Max.		
2,3 [51,76]	5 [127]	1 [25]	1-1/2 [38]	1-3/32 [28]	2-1/4 [57]	11 [5]	6-1/4 [40]
2,3,4 [51,76,102]	6 [152]	1 [25]	1-25/32 [45]	1-13/32 [36]	2-17/32 [64]	13 [6]	9 [58]
2,3,4 [51,76,102]	7 [178]	1 [25]	2-1/8 [54]	1-23/32 [44]	2-7/8 [73]	14 [6]	12 [77]
3,4 [76,102]	8 [203]	1-5/32 [30]	2-1/8 [54]	1-3/4 [44]	2-7/8 [73]	16 [7]	19 [123]
6 [152]	8 [203]	1-5/32 [30]	2-1/8 [54]	1-3/4 [44]	2-7/8 [73]	18 [8]	19 [123]
6 [152]	10 [254]	1-7/16 [37]	2-1/2 [64]	2 [51]	3-1/4 [83]	22 [10]	23 [148]

### ENGINEERING SPECIFICATION: ZURNZN415B-126

Floor and shower drain, Dura-Coated cast iron body with bottom outlet, combination solid invertible membrane clamp and adjustable collar with gasket and "TYPE B" polished nickel bronze, light-duty strainer.

### OPTIONS (Check/specify appropriate options)

#### PIPE SIZE

- 2,3,4 [51,76,102]
- 2 [51]
- 3 [76]
- 4 [102]
- 6 [152]
- 2,3,4 [51,76,102]
- 2,3,4 [51,76,102]

#### (Specify size/type) OUTLET

- \_\_\_\_\_ IC Inside Caulk
- \_\_\_\_\_ IP Threaded
- \_\_\_\_\_ IP Threaded
- \_\_\_\_\_ IP Threaded
- \_\_\_\_\_ IP Threaded
- \_\_\_\_\_ NH No-Hub
- \_\_\_\_\_ NL Neo-Loc

#### 'E' BODY HT. DIM.

- 4-3/16 [106]
- 2-7/16 [62]
- 2-3/4 [70]
- 2-13/16 [71]
- 2-7/8 [73]
- 3-13/16 [97]
- 3-7/8 [98]

### PREFIXES

- \_\_\_ ZB D.C.C.I. Body Assembly w/ Polished Bronze Top
- \_\_\_ ZN D.C.C.I. Body Assembly w/ Polished Nickel Bronze Top\*

### SUFFIXES

- \_\_\_ -AR Acid Resisting Epoxy Coated Cast Iron
- \_\_\_ -CP Chrome-Plated Bronze Top
- \_\_\_ -G Galvanized Cast Iron
- \_\_\_ -HD Heavy-Duty Slotted Grate (ZN 5,6 [127,152] Sizes Only)
- \_\_\_ -OF Oval Funnel (Z329-7) (6,7,8,10 [152,178,203,254] Strainers Only)
- \_\_\_ -P Trap Primer Connection (Specify 1/2 [13] or 3/4 [19])
- \_\_\_ -PC Protective Cover
- \_\_\_ -SA Stabilizer Assembly (See Z1035)
- \_\_\_ -SQ Stabilizer Q-Deck (See Z1035-Q)
- \_\_\_ -SR Stabilizer Ring
- \_\_\_ -TC Neo-Loc Test Cap Gasket (2,3,4 [51,76,102] NL Outlet Only)
- \_\_\_ -U 1-3 [25-76] High Extension Adapter
- \_\_\_ -V Backwater Valve
- \_\_\_ -VP Vandal-Proof Secured Top
- \_\_\_ -Y Sediment Bucket
- \_\_\_ -4 4 [102] Diameter Funnel (Z328)
- \_\_\_ -90 90° Threaded Side Outlet Body Assembly (2,3 [51,76] Only)

\* Regularly furnished unless otherwise specified.