



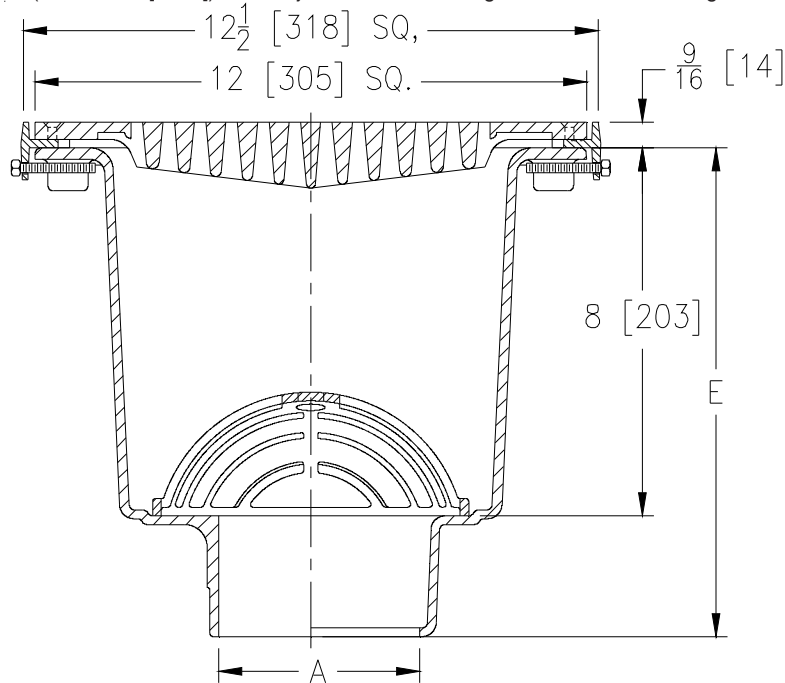
ZS1901-HD

12-1/2 X 12-1/2 [318 X 318] A.R.E. SANI-FLORECEPTOR
8 [203] SUMP DEPTH W/ STAINLESS STEEL FRAME AND
EXTRA-HEAVY DUTY STAINLESS STEEL GRATE

SPECIFICATION SHEET

TAG _____

Dimensional Data (inches and [mm]) are Subject to Manufacturing Tolerances and Change Without Notice



A- Pipe Size In. [mm]	Approx Wt. Lbs. [kg]	Grate Open Area Sq. In. [cm ²]
2, 3, 4 [51, 76, 102]	34 [15]	22 [142]

ENGINEERING SPECIFICATION: ZURN ZS1901-HD

Sani-Floreceptor 12-1/2" x 12-1/2" x 8" [318mm x 318mm x 203mm] deep cast iron body with white acid resisting porcelain enamel interior, black ground enamel exterior coating, with stainless steel frame and X-heavy duty stainless steel grate, complete with ABS anti-splash interior bottom dome strainer.

OPTIONS (Check/specify appropriate options)

PIPE SIZE

3, 4 [76, 102]
2, 3, 4 [51, 76, 102]
2, 3, 4 [51, 76, 102]

(Specify size/type) OUTLET

___ IC Inside Caulk
___ NH No-Hub
___ NL Neo-Loc

'E' BODY HT. DIMENSION

11-1/8 [283]
11-1/8 [283]
10-1/2 [267]

PREFIXES

___ ZS Cast Iron Body with White A.R.E. Interior, 12-1/2 [318] Square Stainless Steel Frame and Full Grate with 1/4 [6] Openings*

SUFFIXES

___ -K	Seepage Flange with Seepage Holes	___ -4	Full Grate w/ Center Opening 3-1/32 [77] Square
___ -KC	Seepage Flange with Seepage Holes and Clamp Collar	___ -11	Vandal Proof Secured Grate
___ -LD	(Less) Internal Bottom Dome Strainer	___ -23	Aluminum Bucket
___ -P	1/2 [13] Threaded Trap Primer Connection (See Z1023)	___ -25	White A.R.C. Bucket
___ -SA	Stabilizer Assembly (See Z1903)	___ -31	Stainless Steel Mesh Liner for Bucket
___ -TC	Neo-Loc test Cap Gasket (2, 3, 4 [51, 76, 102] Dia. NL Bottom Outlet Only)	___ -32	Aluminum Dome Strainer
___ -VPS	Vandal-Proof Strainer	___ -33	White A.R.C. Anti-Splash Bottom Dome Strainer
___ -2	1/2 Grate		
___ -3	3/4 Grate		

* Regularly furnished unless otherwise specified.

Zurn Industries, LLC | Specification Drainage Operation
1801 Pittsburgh Avenue, Erie, PA U.S.A. 16502 · Ph. 855-663-9876, Fax 814-454-7929
In Canada | Zurn Industries Limited
3544 Nashua Drive, Mississauga, Ontario L4V 1L2 · Ph. 905-405-8272, Fax 905-405-1292
www.zurn.com

Rev. C
Date: 10/12/2017
C.N. No. 138735
Prod. | Dwg. No. ZS1901-HD