



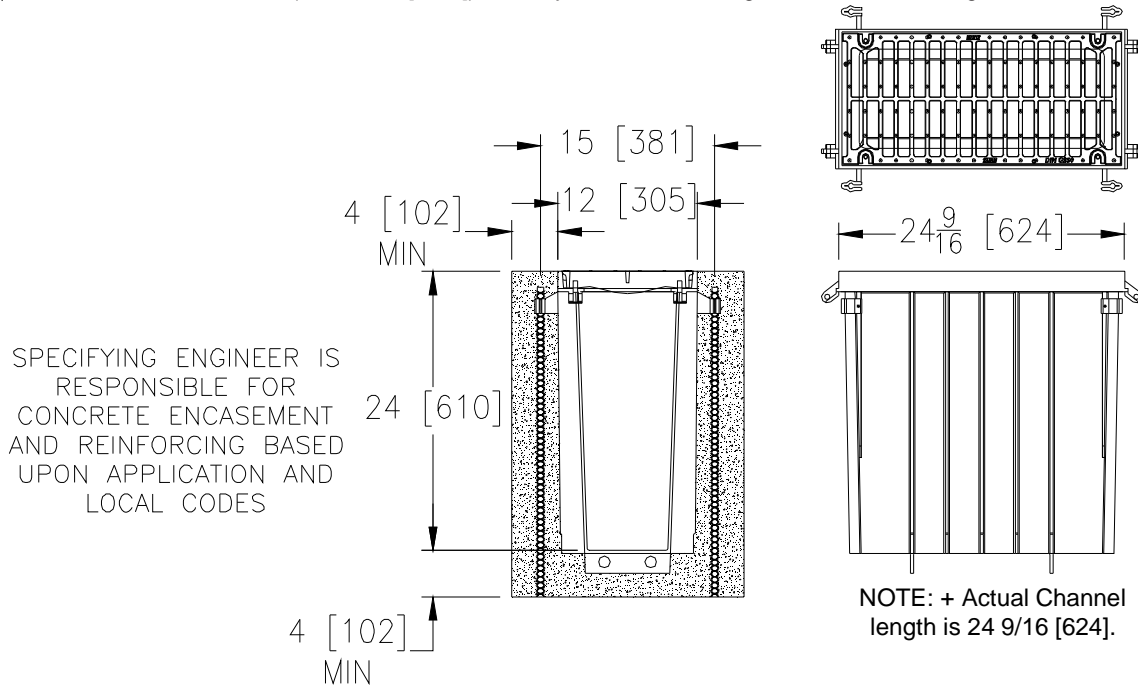
# Z887-12-HDG

SPECIFICATION SHEET

## 12 [305] WIDE REVEAL X 24-9/16 [624] LONG CATCH BASIN W/HEAVY-DUTY GALVANIZED FRAME ASSEMBLY

TAG \_\_\_\_\_

Dimensional Data (inches and [ mm ]) are Subject to Manufacturing Tolerances and Change Without Notice



### ENGINEERING SPECIFICATION: Zurn Z887-12-HDG

Catch Basin shall be 12 [305] wide reveal x 24-5/8 [624] long and 24 [610] deep. Catch basin shall be made of 0% water absorbent High Density Polyethylene (HDPE). Shall mechanically lock into the concrete surround. Basin shall weigh less than 14.6 lbs.[6.6 kg]. Catch basin shall have rebar clips standard to secure basin in its final location. Shall be provided with standard GDC grates that lock down to frame. Zurn 12 [305] wide reveal Ductile Iron Slotted Grate conforming to ASTM specification A536-84, Grade 80-55-06. Ductile Iron grate is rated class C per the DIN EN1433 top load classifications. Supplied in 24 [608] nominal lengths with 13/16 [21] wide slots, and 1-1/2 [38] bearing depth. Grate has an open area of 57-1/2 sq. in per ft. [121708 sq. mm per meter]. The 1/4 [6] thick Heavy-Duty Frame Assembly conforms to either ASTM specification A36 or A536-84 with 4 - 4 [102] long concrete anchors per basin. The frame and grate shall be galvanized in accordance with ASTM A-123. All welds must be performed by a certified welder per ASTM standard AWS D1.1. Frames Shall be produced in the U.S.A.

### PREFIX OPTIONS (Check/specify appropriate options)

Z 12-inch by 24-inch High Density Polyethylene (HDPE)\*

### SUFFIX OPTIONS (Check/specify appropriate options)

#### Outlet Adapters Add/Each

-E3 3 [76] No-Hub End Outlet       -U4 4 [102] No-Hub Bottom Outlet  
 -E4 4 [102] No-Hub End Outlet       -U6 6 [152] No-Hub Bottom Outlet  
 -E6 6 [152] No-Hub End Outlet

### Grate Options (Load Classifications are per DIN EN1433)

-BDC Black Acid Resistant Epoxy Coated Ductile Grate - Class C  
 -BDE Black Acid Resistant Epoxy Coated Ductile Grate - Class E  
 -BG Galvanized Ductile Iron Bar Grate - Class D  
 -DC Ductile Iron Solid Cover - Class C  
 -DGC Ductile Iron Slotted Grate - Class C  
 -DGE Ductile Iron Slotted Grate - Class E  
 -DGF Ductile Iron Slotted Grate - Class F  
 -GDC Galvanized Ductile Slotted Grate - Class C \*  
 -GDE Galvanized Ductile Slotted Grate - Class E  
 -GDF Galvanized Ductile Slotted Grate - Class F  
 -GHPD Galvanized Heel-Proof Ductile Grate - Class C  
 -GHPDE Galvanized Heel-Proof Ductile Slotted Grate - Class E  
 -HPD Heel-Proof Ductile Slotted Grate - Class C  
 -HPDE Heel-Proof Ductile Slotted Grate - Class E

### Miscellaneous Options

-IA Inlet Adapter-Z886  
 -IA Inlet Adapter-Z882

### MADE in the U.S.A. (Load Classifications are per DIN EN1433)

-ADA-USA Meets Americans with Disabilities Act Requirements - Class C  
 -DGC-USA Ductile Iron Slotted Grate - Class C  
 -DGE-USA Ductile Iron Slotted Grate - Class E  
 -FG Fabricated Galvanized Steel Slotted Grate - Class A  
 -GADA-USA Galvanized Ductile ADA Slotted Grate - Class C  
 -GDC-USA Galvanized Ductile Slotted Grate - Class C  
 -GDE-USA Galvanized Ductile Slotted Grate - Class E  
 -PG Perforated Galvanized Steel Grate - Class A  
 -RFG Reinforced Galvanized Slotted Steel Grate - Class B  
 -RPG Reinforced Galvanized Perforated Grate - Class B

### Miscellaneous Options

-DB Bottom Dome Strainer  
 -EXT 12 [305] Body Extension  
 -VP Vandal-Proof Lockdown  
 -Y Sediment Bucket

\*REGULARLY FURNISHED UNLESS OTHERWISE SPECIFIED

**REV. B      DATE: 7/15/11      C.N. NO. 121603**  
**DWG. NO. 302697      PRODUCT NO. Z887-12-HDG**