



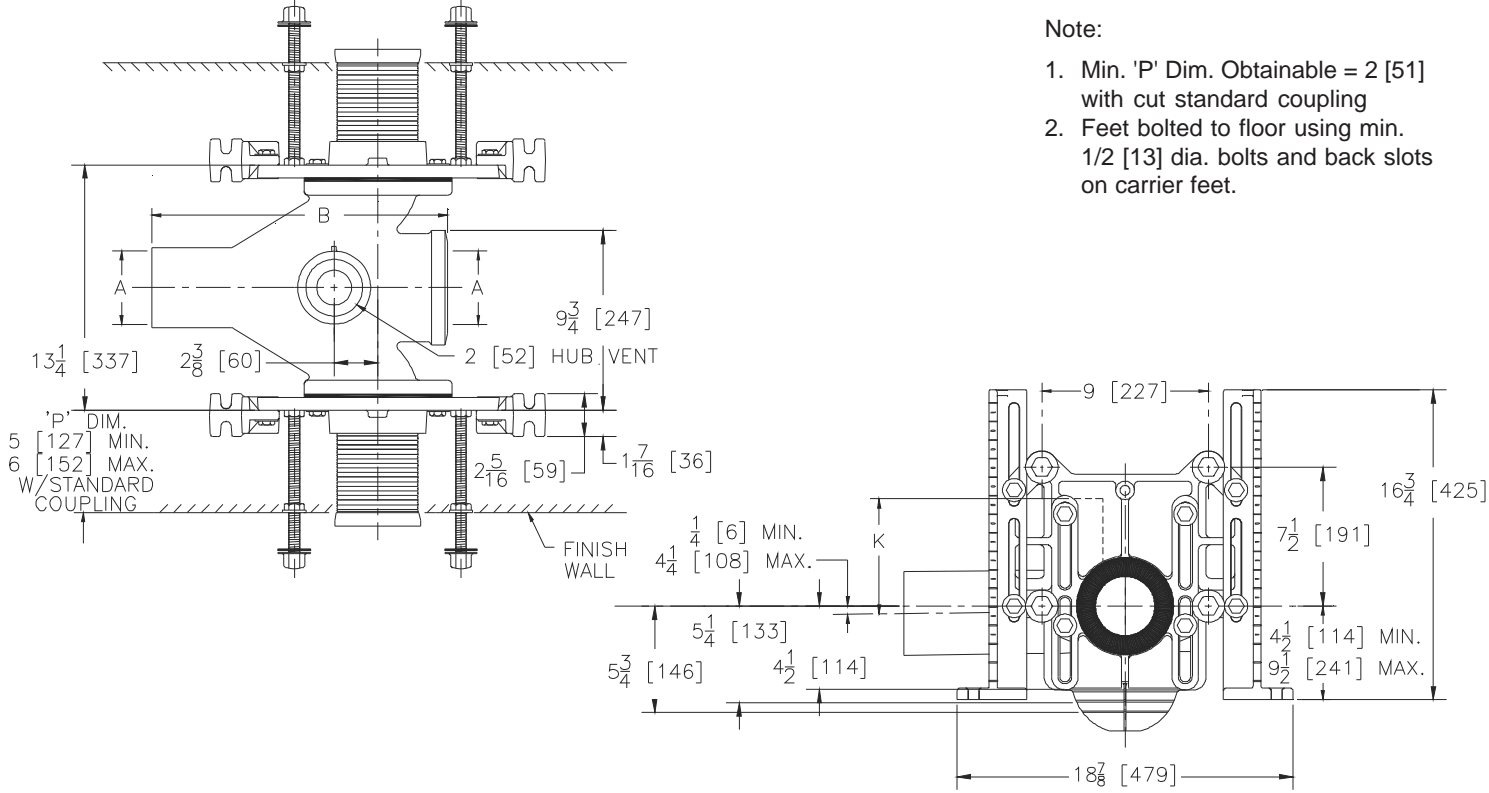
# Z1203-HD

## ADJUSTABLE HORIZONTAL BACK TO BACK SIPHON JET HUB & SPIGOT

SPECIFICATION SHEET

TAG \_\_\_\_\_

Dimensional Data (inches and [ mm ]) are Subject to Manufacturing Tolerances and Change Without Notice



Note:

1. Min. 'P' Dim. Obtainable = 2 [51] with cut standard coupling
2. Feet bolted to floor using min. 1/2 [13] dia. bolts and back slots on carrier feet.

Product No.	Dimensions In Inches [mm]			Approx. Wt. Lbs. [kg]
	A	B	K	
Z1203-HD4	4 [102]	16 [406]	6-1/8 [156]	125 [57]

### ENGINEERING SPECIFICATION: ZURN Z1203-HD4

Adjustable, horizontal siphon jet water closet "Rigid System" with 4" [102mm] Hub & Spigot connections. Complete with Dura-Coated cast iron double main fitting, with 2" [51mm] vent, adjustable gasketed face plate, universal floor mounted foot supports, corrosion resistant adjustable polymer coupling with integral test cap, fixture bolts, trim, stud protectors, and bonded "Neo-Seal" gasket.

### PRODUCT/DEFINITION

\_\_\_\_\_ Z1203-HD4 4 [102] Hub & Spigot Fitting With Back to Back Inlets

### PREFIXES

\_\_\_\_\_ Z D.C.C.I. System with Zurn "ZZ" Adjustable Coupling\*  
 \_\_\_\_\_ ZQ D.C.C.I. System with Non-Adjustable Coupling

### SUFFIXES

_____ -A	Auxiliary Support Assembly (for 'P' Dim. Greater Than 18 [457])	_____ -RYK	Unistrut Pre-Fab Foot
_____ -B	Blowout Type Fixture Support	_____ -VP	Vandal Proof Trim
_____ -CC	Cast Iron Coupling (6 [152] - 12 [305])	_____ -X3	3 [76] Carrier Foot Extension (See Z1200-FT-EXT-3)
_____ -CL	Coupling Length Other Than Standard 6 [152] (Specify Length Required)	_____ -X4	4 [102] Carrier Foot Extension (See Z1200-FT-EXT-4)
_____ -F	Floor Mounted Back Outlet, Fixture Support	_____ -45	Finishing Frame for Siphon Jet Closet (See Z1200-FINFRAME-SJ)
_____ -G	Galvanized Cast Iron	_____ -50	Flush Valve Supply Support for Water Closets (See Z1200-SPLY-SPRT-WC)
_____ -M	Auxiliary Foot Support (for 'P' Dim. 10 - 18 [254 - 457])		
_____ -PF	Pre-Fab Foot		
_____ -PS	Pre-Fab Slotted Foot		

\* Regularly furnished unless otherwise specified.