



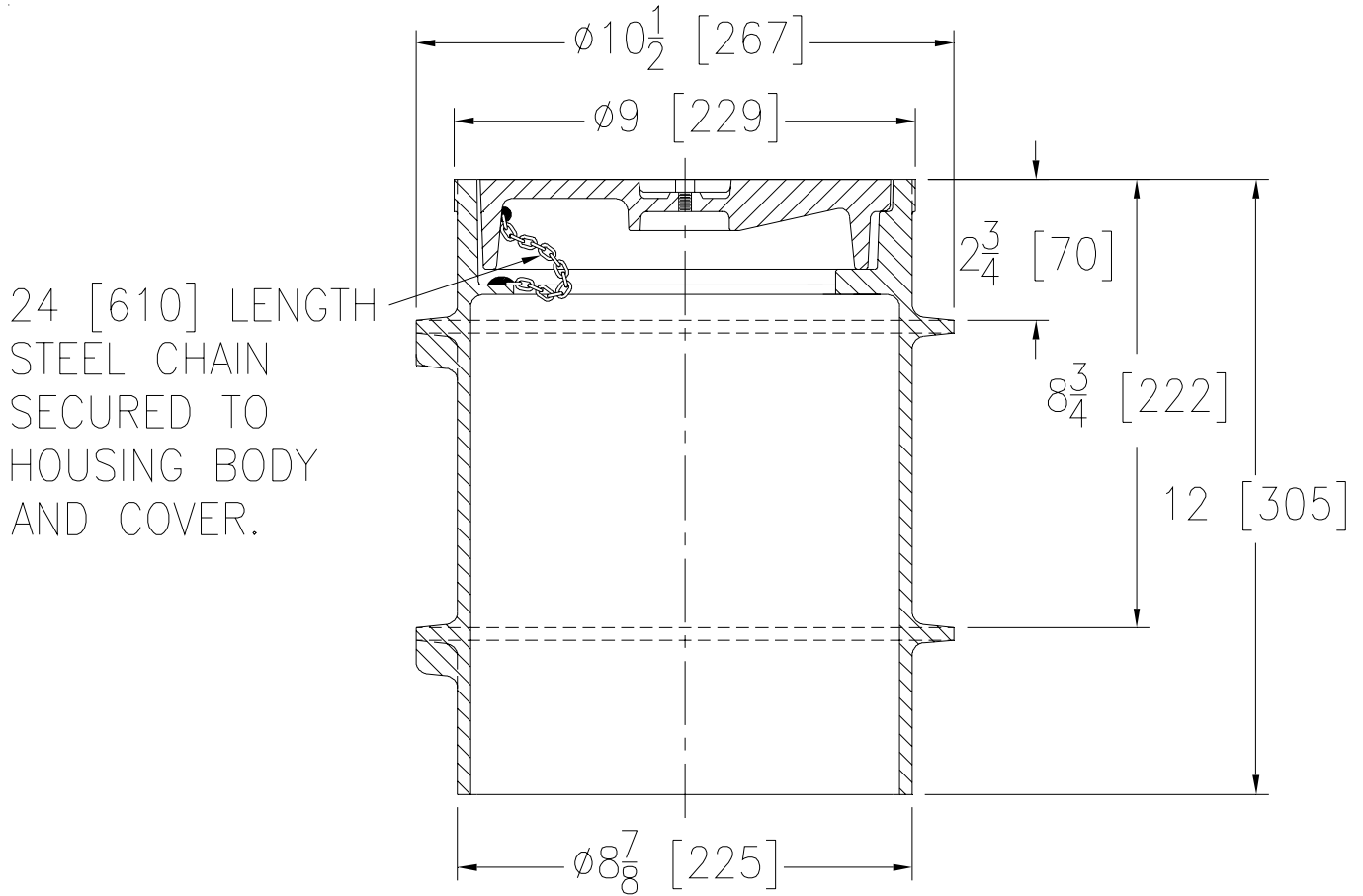
Z1474-77

HEAVY DUTY CLEANOUT HOUSING WITH CHAINED COVER

SPECIFICATION SHEET

TAG _____

Dimensional Data (inches and [mm]) are Subject to Manufacturing Tolerances and Change Without Notice



A Pipe Size Inches	Approx. Wt. Lbs [kg]
8 3/8 [213]	40 [18]

ENGINEERING SPECIFICATION: ZURN Z1474-77 Heavy Duty Cleanout Housing. Dura-Coated cast iron body with integral anchor flange, scoriated cover with lifting device and securing chain.

OPTIONS (Check/specify appropriate options)

PREFIXES

- ___ Z Dura-Coated Cast Iron*
- ___ ZB D.C.C.I. with Polished Bronze Cover (Add 3/16 [5] to 12 [305] Dim. & 3/4 [19] to 9 [229] Dim.)
- ___ ZN D.C.C.I. with Polished Nickel Bronze Cover (Add 3/16 [5] to 12 [305] Dim. & 3/4 [19] to 9 [229] Dim.)

SUFFIXES

- ___ -DC Duresist Cover
- ___ -G Galvanized Cast Iron
- ___ -N With Internal Cleanout (See Z1440) (Specify Outlet Size 2 thru 4, 6 [51 thru 102, 152])
- ___ -SG Solid Gasketed Cover
- ___ -VP Vandal-Proof Screw

REV.	DATE: 02/02/06	C.N. NO. 94635
DWG. NO. P-15246	PRODUCT NO. Z1474-77	

*REGULARLY FURNISHED UNLESS OTHERWISE SPECIFIED