



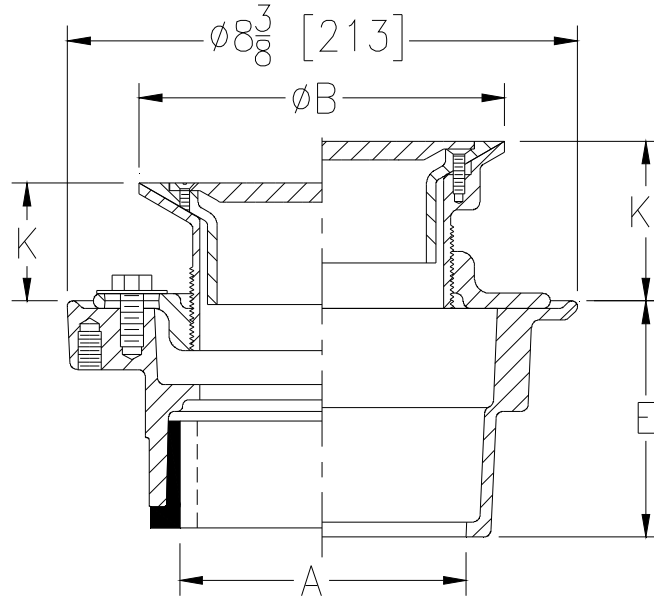
Z415H-80

BODY ASSEMBLY W/ "TYPE H" SOLID COVER

SPECIFICATION SHEET

TAG _____

Dimensional Data (inches and [mm]) are Subject to Manufacturing Tolerances and Change Without Notice



Dimensions In Inches						Approx. Wt. Lbs. [kg]	Strainer Open Area Sq. In. [cm ²]
A - Pipe Size	B - Top Size	K		K'			
		Min.	Max.	Min.	Max.		
2-3-4 [51-76-102]	6 [152]	1-1/4 [32]	2-3/8 [60]	2-3/16 [56]	3-5/16 [84]	13 [6]	7 [45]

ENGINEERING SPECIFICATION: ZURN ZN415H-80

Floor and shower drain, Dura-Coated cast iron body with bottom outlet, combination invertible membrane clamp and adjustable collar with seepage slots and "TYPE H" polished nickel bronze, light-duty solid cover with flashing clamp device for clamping at the finished floor level.

OPTIONS (Check/specify appropriate options)

PIPE SIZE	(Specify size/type)	OUTLET	'E' BODY HT. DIM.
2 thru 4 [51 thru 102]	_____	IC Inside Caulk	3-7/8 [98]
2 [51]	_____	IP Threaded	2-3/8 [60]
3 [76]	_____	IP Threaded	2-5/8 [67]
4 [102]	_____	IP Threaded	2-7/8 [73]
2 thru 4 [51 thru 102]	_____	NH No-Hub	3-7/8 [98]
2 thru 4 [51 thru 102]	_____	NL Neo-Loc	3-3/4 [95]

PREFIXES

- _____ ZB D.C.C.I. Body Assembly w/ Polished Bronze Top
- _____ ZN D.C.C.I. Body Assembly w/ Polished Nickel Bronze Top*

SUFFIXES

- | | |
|--|--|
| _____ -AR Acid Resisting Epoxy Coated Cast Iron | _____ -VP Vandal-Proof Secured Top |
| _____ -G Galvanized Cast Iron | _____ -Y Sediment Bucket |
| _____ -P Trap Primer Connection (Specify 1/2 [13] or 3/4 [19]) | _____ -18 Leveling Ring (See Z400-18) |
| _____ -SA Z1035 Stabilizer Assembly (NH & NL Outlets only) | _____ -90 90° Threaded Side Outlet Body Assembly (See Z1043) |
| _____ -SQ Z1035-Q Stabilizer Assembly (NH & NL Outlets only) | |
| _____ -SR Stabilizer Ring | |
| _____ -U 1 - 3 [25 - 76] High Extension Adapter | |
| _____ -V Backwater Valve | |

*REGULARLY FURNISHED UNLESS OTHERWISE SPECIFIED

REV.	DATE: 11/18/10	C.N. NO. 120478
DWG. NO. 303467		PRODUCT NO. Z415H-80