



Z890-98

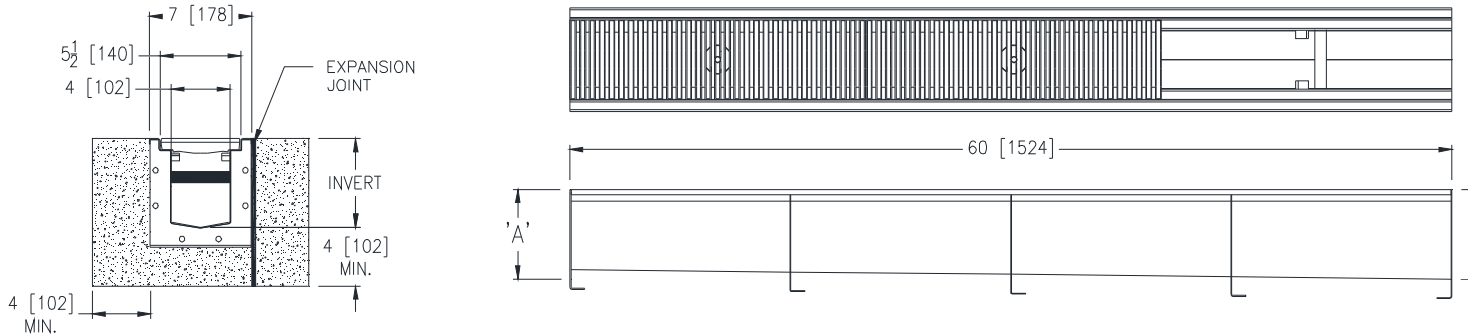
7 [178] WIDE REVEAL REINFORCED TRENCH DRAIN SYSTEM FOR EXPANSION JOINTS

SPECIFICATION SHEET

TAG _____

Dimensional Data (inches and [mm]) are Subject to Manufacturing Tolerances and Change Without Notice

SPECIFYING ENGINEER IS RESPONSIBLE FOR CONCRETE ENCASEMENT AND REINFORCING BASED UPON APPLICATION AND LOCAL CODES



ENGINEERING SPECIFICATION: Zurn Z890-98

Channels are 60" [1524mm] long, 7" [178mm] wide and have a 4" [102mm] throat with exterior reinforcing flanges and interior reinforcing ribs for applications where the trench system is installed alongside an expansion joint. Modular channel sections are made of 16 ga. fabricated Stainless Steel conforming to ASTM A-240 (type 316). Channels have a bolted, flanged connection between channel sections that will not separate during the installation, gaskets available. Channels weigh less than 2.31 lbs. [1.05kg] per linear foot, have a smooth, 1-1/2" [38mm] radiused self cleaning bottom with a Manning's coefficient of .009 and 1.04% or neutral 0% built in slope. Channels have feet for patty pour or leveling studs standard to secure trench in its final location. Channels are provided with RJC grates that lock down to frame. Iron Age Regular Joe (RJC) grates are 20" [508mm] X 5-3/8" [137mm] ductile iron heel-proof slotted grate weighing 9 lbs per linear foot [13.4kg/m]. The grate has an open area of 9 in² per linear foot [191 cm²/m]. Made from 80% recycled content. Product ID number RJZ5-20132HP. This system is rated Class A per DIN EN1433 top load classification for light-duty pedestrian traffic only. Channels shall be produced in the U.S.A.

Trench No.	Dimensions in Inch [mm]		Flow		
	'A' Shallow Inv.	'B' Deep Inv.	(cfs)	(gpm)	(lps)
89004	5.38 [137]	6.00 [152]	0.399	179	11
89004N	6.00 [152]	6.00 [152]	-	-	-
89005	6.00 [152]	6.63 [168]	0.461	207	13
89006	6.63 [168]	7.25 [184]	0.524	235	15
89006N	7.25 [184]	7.25 [184]	-	-	-
89007	7.25 [184]	7.88 [200]	0.586	263	17
89008	7.88 [200]	8.50 [216]	0.651	292	18
89008N	8.50 [216]	8.50 [216]	-	-	-
89009	8.50 [216]	9.13 [232]	0.715	321	20
89010	9.13 [232]	9.75 [248]	0.778	349	22
89010N	9.75 [248]	9.75 [248]	-	-	-
89011	9.75 [248]	10.38 [264]	0.842	378	24
89012	10.38 [264]	11.00 [279]	0.907	407	26
89012N	11.00 [279]	11.00 [279]	-	-	-
89013	11.00 [279]	11.63 [295]	0.971	436	28
89014	11.63 [295]	12.25 [311]	1.036	465	29
89014N	12.25 [311]	12.25 [311]	-	-	-
89015	12.25 [311]	12.88 [327]	1.101	494	31
89016	12.88 [327]	13.50 [343]	1.165	523	33
89016N	13.50 [343]	13.50 [343]	-	-	-
89017	13.50 [343]	14.13 [359]	1.230	552	35
89018	14.13 [359]	14.75 [375]	1.295	581	37
89018N	14.75 [375]	14.75 [375]	-	-	-
89019	14.75 [375]	15.38 [391]	1.359	610	39
89020	15.38 [391]	16.00 [406]	1.424	639	40

PREFIX OPTIONS (Check/specify appropriate options)

___ Z Five-foot, Type 304 Stainless Steel*

SUFFIX OPTIONS (Check/specify appropriate options)

Outlet Adapters Add/Each

- ___ -E1 Closed End Cap
- ___ -E2 2 [51] No-Hub End Outlet
- ___ -E3 3 [76] No-Hub End Outlet
- ___ -E4 4 [102] No-Hub End Outlet
- ___ -U2 2 [51] No-Hub Bottom Outlet
- ___ -U3 3 [76] No-Hub Bottom Outlet
- ___ -U4 4 [102] No-Hub Bottom Outlet

Miscellaneous Options

- ___ -DB Drop-In Bucket Strainer
- ___ -VP Vandal-Proof lockdown

* Regularly furnished unless otherwise specified.