

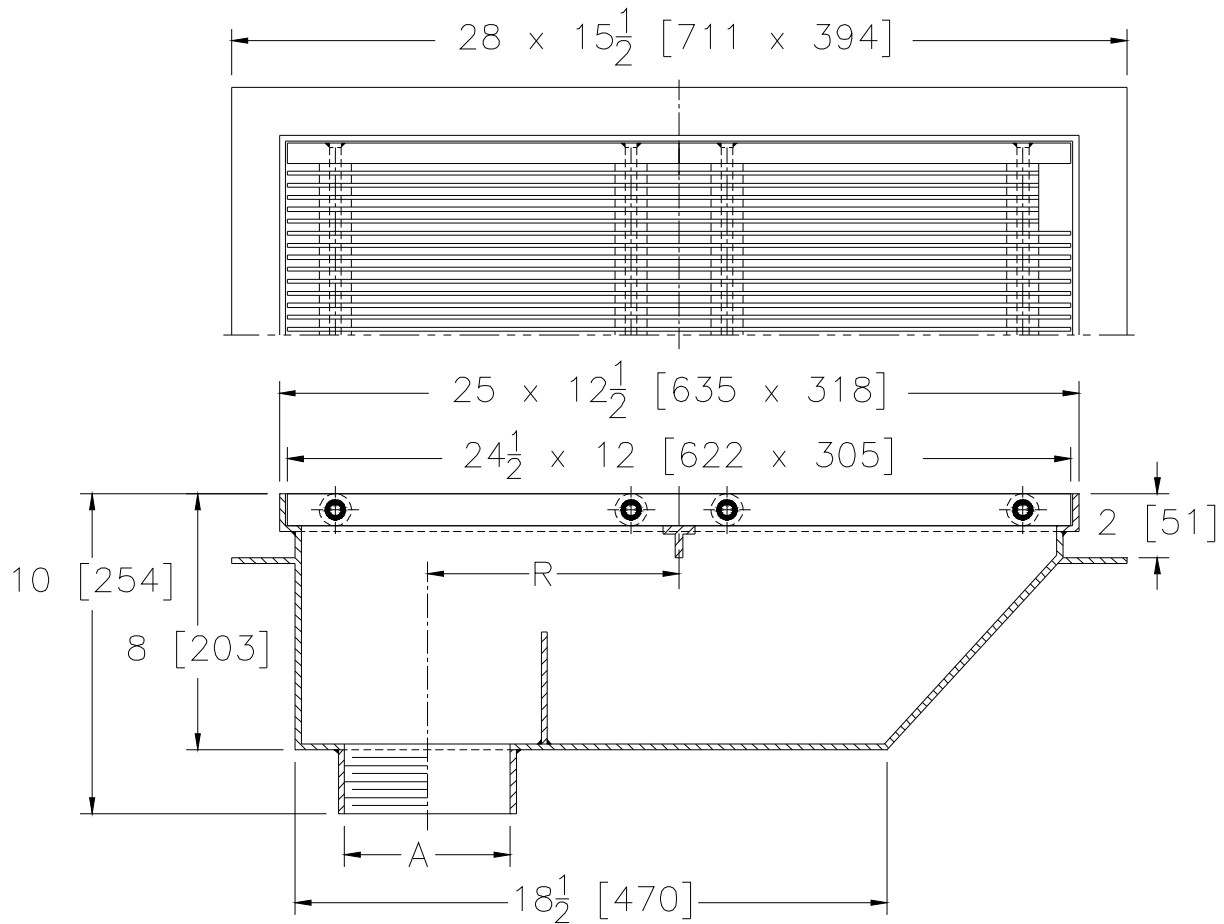


Z1762-SB
28 X 15-1/2 [711 X 394] KETTLE DRAIN

SPECIFICATION SHEET

TAG _____

Dimensional Data (inches and [mm]) are Subject to Manufacturing Tolerances and Change Without Notice



Dimensions In Inches [mm]		Approx. Wt. Lbs. [Kg]	Grate Open Area Sq. In. [cm ²]
A- Pipe Size	R		
3,4 [76,102]	7-7/8 [200]	71 [32]	149 [961]
6 [152]	6-7/8 [175]		

ENGINEERING SPECIFICATION: ZURN ZS1762-SB
Type 304 (CF8) stainless steel fabricated body with solids retaining baffle and stainless steel two piece grate with 1/8" [3mm] bars on 3/8" [10mm] centers. One grate section with lift hole.

OPTIONS (Check/specify appropriate options)

PIPE SIZE

3,4,6 [76,102,152]

(Specify size/type) **OUTLET**

___ NH No-Hub

PREFIXES

- ___ Z Acid Resistant Epoxy Coated Steel Body with Stainless Steel Top
- ___ ZS All Type 304 Fabricated Stainless Steel Body with Stainless Steel Top*

* Regularly furnished unless otherwise specified.