

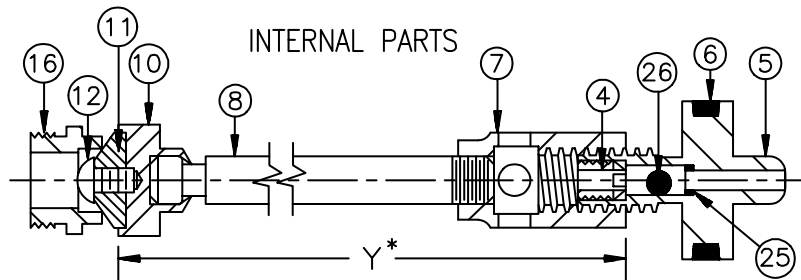
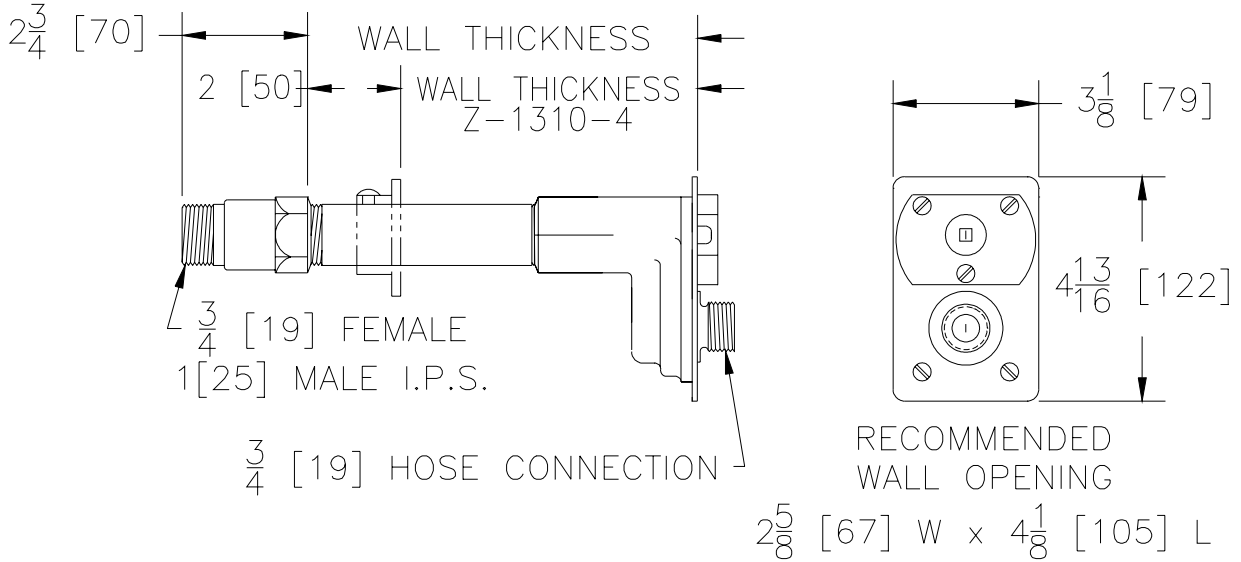


Z-1310-77 ECOLOTROL WALL HYDRANT-  
Exposed, Non-Freeze, Anti-Siphon,  
Automatic Draining

SPECIFICATION SHEET

TAG \_\_\_\_\_

Dimensions Subject to Manufacturing Tolerances



Wall Thickness In Inches[mm]	Approx. Wt. Lbs.[kg]
6-8[150/200]	5[2]
10-12-14[250-300-350]	8[4]
16-18[400-450]	11[5]
20-22-24[500-550-600]	14[6]

**ENGINEERING SPECIFICATION:** ZURN-Z-1310-77 Exposed Ecolotrol "anti-siphon" automatic draining wall hydrant. Complete with non-freeze integral backflow preventer, bronze casing, all bronze interior parts, non-turning operating rod with free-floating compression closure valve, replaceable bronze seat washer, and combination 3/4 female or 1 male straight IP inlet. Stainless steel face with lockshield and operating key.

**OPTIONS** (Check/specify appropriate options)

**SUFFIXES**

- \_\_\_\_\_ -**RK** Hydrant Parts Repair Kit
- \_\_\_\_\_ -**3** 3/4 Solder Female Inlet Adapter
- \_\_\_\_\_ -**4** Wall Clamp
- \_\_\_\_\_ -**6** Polished Bronze Box
- \_\_\_\_\_ -**11** Statuary Bronze Face (Specify light, medium or dark finish)
- \_\_\_\_\_ -**13** 3/4 IP 90° Inlet Elbow with Union Nut

**PARTS LIST**

Item	Name	Quan.
6	O-Ring	1
4	Screw	1
5	Operating Screw	1
7	Operating Coupling	1
8	Operating Rod	1
10	Washer Guide	1
11	Washer (neoprene)	1
12	Screw	1
16	Removable Seat	1
25	O-Ring	1
26	Ball	1

REV. A      DATE: 5/13/98      C.N. NO. 80454  
DWG NO. P-13804      PRODUCT NO. Z-1310-77

\* When ordering replacement parts specify Y dim.