



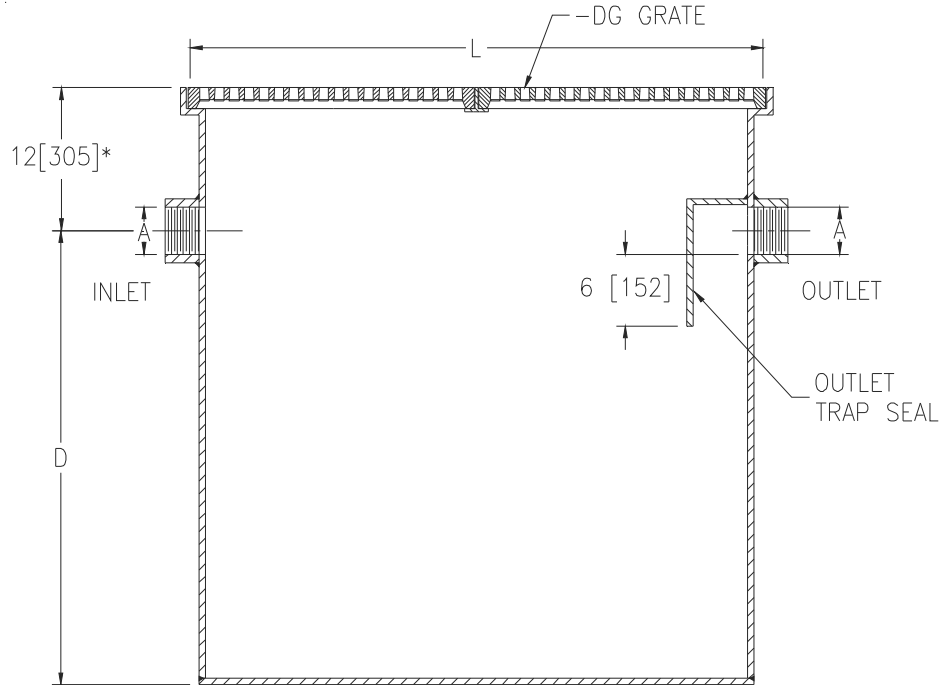
Z1187-SI-DG

SAND INTERCEPTOR W/ SPECIAL DUTY GRATE

SPECIFICATION SHEET

TAG _____

Dimensional Data (inches and [mm]) are Subject to Manufacturing Tolerances and Change Without Notice



*12[305] REGULARLY FURNISHED—
SPECIFY DIMENSION IF HIGHER
OR LOWER IS REQUIRED

Size	Flow gpm [Lpm] (Max)	Dimensions in inches [mm]				Capacity gal [L] (Static)	No. of 12x24 [305x610] Grates	Approx Wt. lbs [kg]
		A Pipe Size	L	D	Width			
20	20 [76]	4 [102]	24 [610]	26 [660]	24 [610]	60 [227]	2	133 [60]
50	50 [189]	4 [102]	48 [1219]	26 [660]	24 [610]	120 [454]	4	204 [92]
150	150 [568]	4 [102]	48 [1219]	38 [965]	48 [1219]	360 [1363]	8	368 [167]
250	250 [946]	6 [152]	72 [1829]	39 [991]	48 [1219]	540 [2044]	12	1294 [587]
500	500 [1893]	6 [152]	120 [3058]	51 [1295]	48 [1219]	1200 [4542]	20	2204 [1000]

ENGINEERING SPECIFICATION: ZURN Z1187-SI-DG

Acid Resistant Coated interior and exterior fabricated steel sand interceptor with threaded inlet and outlet, complete with removable special-duty grates.

OPTIONS (Check/specify appropriate options)

PREFIXES

___ Z Acid Resistant Coated Fabricated Steel*

SUFFIXES

- ___ -E Integral Extension Assembly (Specify extension height)
- ___ -K Anchor Flange 1-3/4 [44] down from top and 2 [51] wide. No extension required to accommodate -K option.
- ___ -KC Anchor Flange 1-3/4 [44] down from top and 2 [51] wide with clamp collar. No extension required to accommodate -KC option.
- ___ -NH No-Hub Inlet and Outlet (Z1040)

* Regularly furnished unless otherwise specified.