



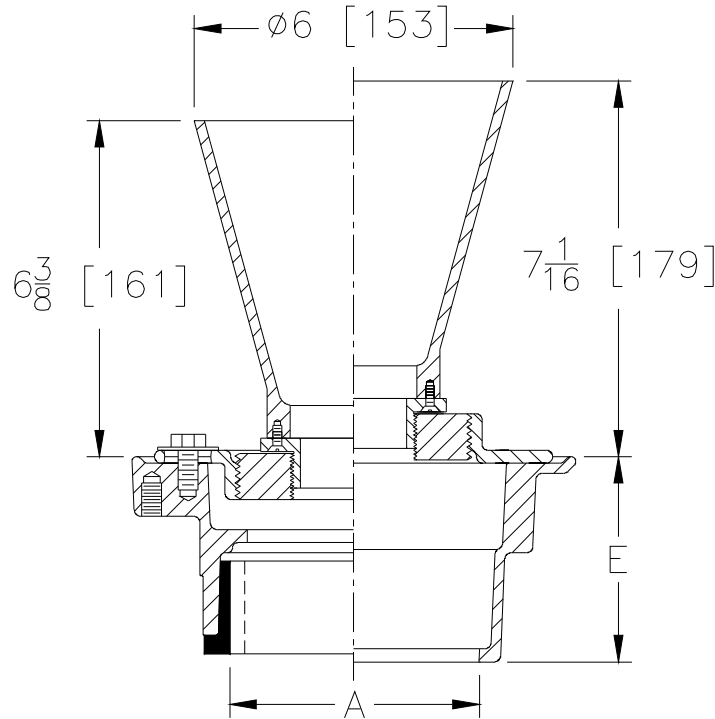
Z415E-76

BODY ASSEMBLY W/ 6 [152] FUNNEL ASSEMBLY

SPECIFICATION SHEET

TAG _____

Dimensional Data (inches and [mm]) are Subject to Manufacturing Tolerances and Change Without Notice



A - Pipe Size	Approx. Wt. Lbs. [kg]
2-3-4 [51-76-102]	19 [9]

ENGINEERING SPECIFICATION: ZURN ZN415E-76 Floor and shower drain, Dura-Coated cast iron body with bottom outlet, combination invertible membrane clamp, polished nickel bronze Funnel Assembly.

OPTIONS (Check/specify appropriate options)

PIPE SIZE

- 2 thru 4 [51 thru 102]
- 2 thru 4 [51 thru 102]
- 2 [51]
- 3 [76]
- 4 [102]
- 2 thru 4 [51 thru 102]
- 2 thru 4 [51 thru 102]

(Specify size/type) **OUTLET**

- _____ IC Inside Caulk
- _____ IG Inside Gasket
- _____ IP Threaded
- _____ IP Threaded
- _____ IP Threaded
- _____ NH No-Hub
- _____ NL Neo-Loc

'E' BODY HT. DIM.

- 3 7/8 [98]
- 3 7/8 [98]
- 2 3/8 [60]
- 2 5/8 [67]
- 2 7/8 [73]
- 3 7/8 [98]
- 3 3/4 [95]

PREFIXES

- _____ ZB D.C.C.I. Body Assembly with Polished Bronze Top
- _____ ZN D.C.C.I. Body Assembly with Polished Nickel Bronze Top*

SUFFIXES

- _____ -AR Acid Resisting Epoxy Coated Cast Iron
- _____ -G Galvanized Cast Iron
- _____ -P Trap Primer Connection (Specify 1/2 [13] or 3/4 [19])
- _____ -TC Neo-Loc Test Cap Gasket (2 - 4 [51 - 102] NL Bottom Outlet Only)
- _____ -U 3 [76] High Extension Adapter
- _____ -V Backwater Valve
- _____ -90 2 or 3 [51 or 76] Side Outlet Body Assembly

*REGULARLY FURNISHED UNLESS OTHERWISE SPECIFIED

REV. A	DATE: 7/16/04	C.N. NO. 92380
DWG. NO. P-14707 PRODUCT NO. Z415E-76		