



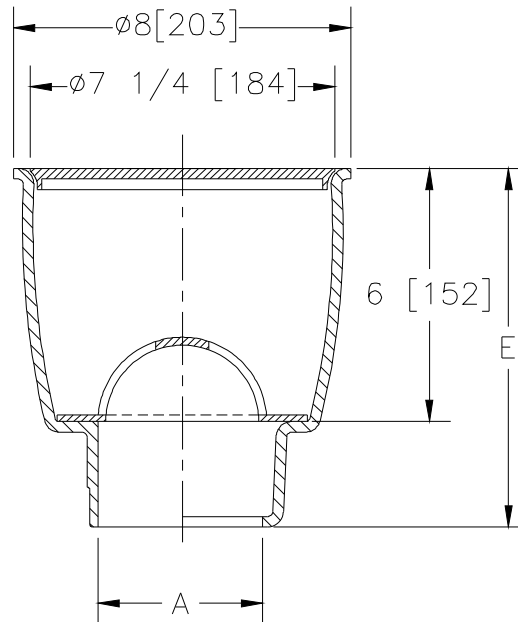
# Z1960-15

8 [203] DIAMETER A.R.E. SANI-FLOR RECEPTOR  
6 [152] SUMP DEPTH WITH SOLID LOOSE SET COVER

SPECIFICATION SHEET

TAG \_\_\_\_\_

Dimensional Data (inches and [ mm ]) are Subject to Manufacturing Tolerances and Change Without Notice



A- Pipe Size In. [mm]	Approx. Wt. Lbs. [kg]
2,3,4 [51,76,102]	29 [13]

**ENGINEERING SPECIFICATION: ZURN Z1960-15**

Sani-Flor Receptor 8" [203mm] diameter x 6" [152mm] deep cast iron body and solid loose set cover, with white acid resisting porcelain enamel interior and top, black ground exterior coating, complete with aluminum anti-splash interior bottom dome strainer.

**OPTIONS** (Check/specify appropriate options)

**PIPE SIZE**

(Specify size/type) **OUTLET**

**'E' BODY HT. DIMENSION**

- 3,4 [76,102]
- 2,3,4 [51,76,102]
- 2,3,4 [51,76,102]

- \_\_\_ IC Inside Caulk
- \_\_\_ NH No-Hub
- \_\_\_ NL Neo-Loc

Z	ZN
8-1/2 [216]	9 [229]
8-1/2 [216]	9 [229]
8 [203]	8-7/16 [214]

**PREFIXES**

- \_\_\_ Z Cast Iron Body with White A.R.E. Interior\*
- \_\_\_ ZN Cast Iron Body with White A.R.E. Interior, 8-1/2 [216] Nickel Bronze Frame and Full Grate with 1/4 [6] Square Openings

**SUFFIXES**

- \_\_\_ -K Anchor Flange with Seepage Holes
- \_\_\_ -KC Anchor Flange with Seepage Holes and Clamp Collar
- \_\_\_ -LD Less Internal Bottom Dome Strainer
- \_\_\_ -P 1/2 [13] Threaded Trap Primer Connection (See Z1023)
- \_\_\_ -T Square Frame and Round Grate with 1/4 [6] Square Openings (ZN Only)
- \_\_\_ -TC Neo-Loc Test Cap Gasket (2,3,4 [51,76,102] NL Bottom Outlet Only)
- \_\_\_ -11 Vandal-Proof Secured Grate
- \_\_\_ -23 Aluminum Bucket
- \_\_\_ -25 White A.R.C. Bucket
- \_\_\_ -31 Stainless Steel Mesh Liner for Bucket
- \_\_\_ -32 Aluminum Dome Strainer
- \_\_\_ -33 White A.R.C. Anti-Splash Bottom Dome Strainer

\* Regularly furnished unless otherwise specified.