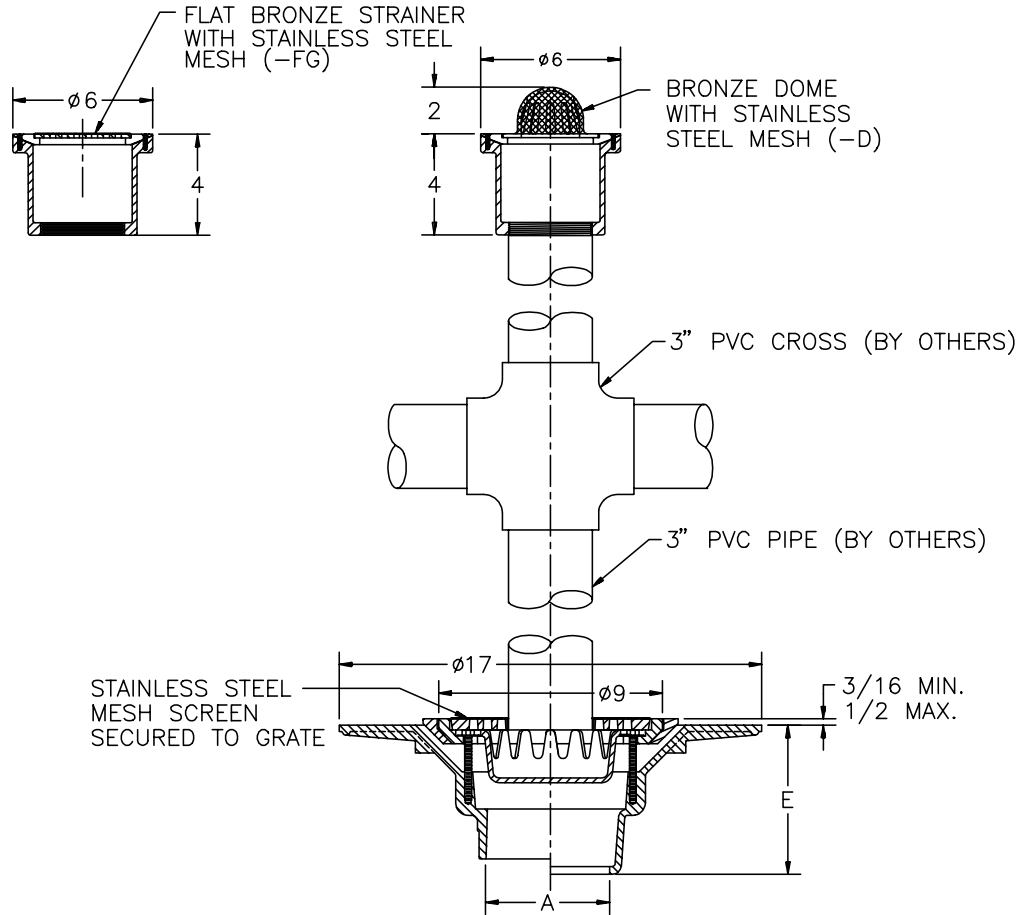




**Z-531-78
ADJUSTABLE FRAME WIDE FLANGE DECK
DRAIN W/ PVC STANDPIPE**

TAG _____

Dimensional Data (inches and [mm]) are Subject to Manufacturing Tolerances and Change Without Notice



A Pipe Size In.	Approx. Wt. Lbs.	Grate Open Area Sq. In.
2-3-4	54	16

ENGINEERING SPECIFICATION: ZURN Z-531-78 9" Diameter adjustable frame wide flange deck drain, Dura-Coated cast iron body with latex troweling flange and combination adjustable latex troweling-edge-form and membrane flashing clamp, bucket and grate covered with stainless steel mesh screen and modified to accommodate PVC pipe.

OPTIONS (Check/specify appropriate options)

OUTLET (Specify type)

- _____ **IC** Inside Caulk
- _____ **IG** Inside Caulk w/Sealtrol Gskt.
- _____ **IP** Threaded
- _____ **NH** No-Hub
- _____ **NL** Neo-Loc

PIPE SIZE (Specify size)

- _____ 2", 3", 4"
- _____ 2", 3", 4"
- _____ 2", 3", 4"
- _____ 2", 3", 4"
- _____ 2", 3", 4"

**'E' BODY HT.
DIMENSION**

- 6"
- 6"
- 4-1/2"
- 6"
- 5-3/8"

PREFIXES

- _____ **Z-** D.C.C.I. Body and Grate*
- _____ **ZB-** D.C.C.I. Body with Polished Bronze Grate
- _____ **ZN-** D.C.C.I. Body with Polished Nickel Bronze Grate

SUFFIXES

- _____ **-C** Underdeck Clamp
- _____ **-D** Dome Strainer
- _____ **-DG** Duresist Grate
- _____ **-FG** Flat Grate
- _____ **-G** Galvanized Cast Iron
- _____ **-VP** Vandal Proof Secured Top

*REGULARLY FURNISHED UNLESS OTHERWISE SPECIFIED

REV.	DATE: 9/2/92	C.N. NO. 68516
DWG. NO. P-13733 PRODUCT NO. Z-531-78		