



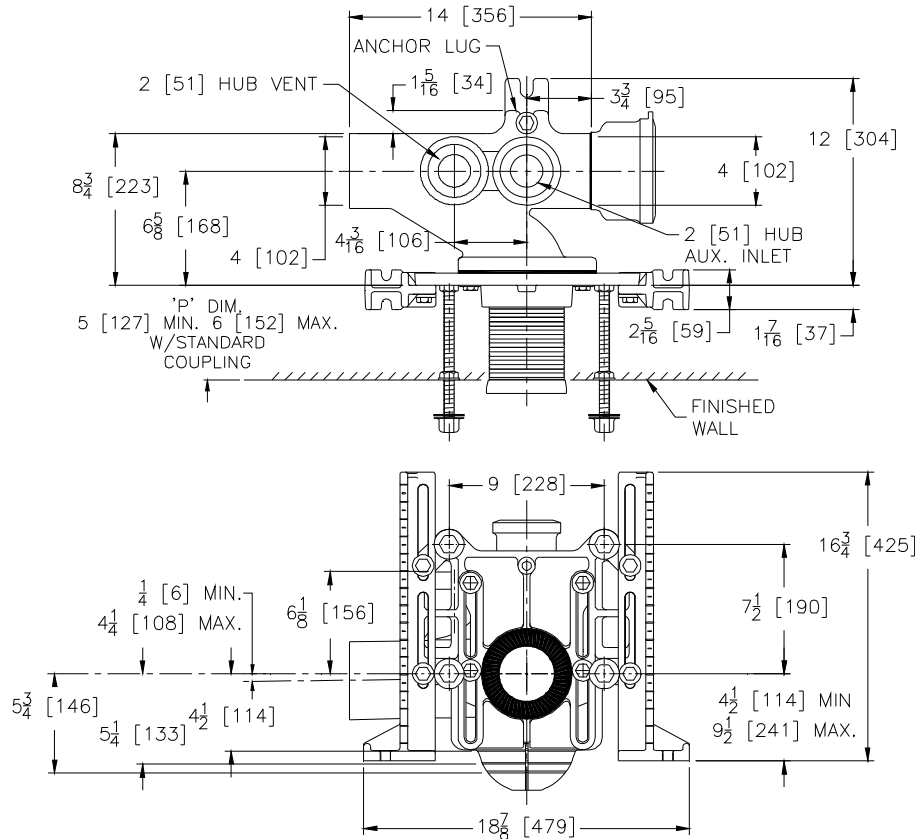
Z1203-124

ADJUSTABLE HORIZONTAL SIPHON JET HUB & SPIGOT W/ AUXILIARY HUB INLET

SPECIFICATION SHEET

TAG _____

Dimensional Data (inches and [mm]) are Subject to Manufacturing Tolerances and Change Without Notice



Product Number	Approx. Wt. Lbs. [kg]
Z1203-HR4-124	67 [30]
Z1203-HL4-124	

Note:

1. Min. 'P' Dim. Obtainable=2 [51]
2. Feet bolted to floor using min. 1/2 [13] dia. bolts and back slots on carrier feet.
3. Back anchor foot required for secure installation.

ENGINEERING SPECIFICATION: ZURN Z1203-124

Adjustable, horizontal siphon jet water closet "Rigid System" with 4 [102] Hub & Spigot connections. Complete with Dura-Coated cast iron right hand or left hand main fitting, with 2 [51] hub vent and 2 [51] auxiliary hub inlet with sanitary sweep, adjustable gasketed face plate, universal floor mounted foot supports, corrosion resistant adjustable ABS coupling with integral test cap, fixture bolts, trim, and stud protectors. Rear anchor tie down and bonded "Neo-Seal" gasket.

OPTIONS (Check/specify appropriate options)

- Z1203-HR4-124** 4 [102] Caulk Right Hand Inlet with Flow to Left
- Z1203-HL4-124** 4 [102] Caulk Left Hand Inlet with Flow to Right

PREFIXES

- ___ Z D.C.C.I. System with Zurn "ZZ" Adjustable Coupling*
- ___ ZQ D.C.C.I. System with Non-Adjustable Coupling

SUFFIXES

- ___ -A Auxiliary Support Assembly (For 'P' Dim. Greater than 18 [457])
- ___ -B Blowout Type Fixture Support
- ___ -CC Corrosion Resistant 6 [152] Long Cast Iron Coupling
- ___ -CL Coupling Length Greater Than Standard (Length Must be Specified)
- ___ -F Floor Mounted, Back Outlet Fixture Support
- ___ -G Galvanized Cast Iron
- ___ -M Auxiliary Foot Support for 'P' Dim. 10 [254] Thru 18 [457]
- ___ -VP Vandal Proof Trim
- ___ -X3 3 [76] Foot Extension Assembly
- ___ -X4 4 [102] Foot Extension Assembly
- ___ -29 Mechanical Test Cap Assembly
- ___ -45 Finishing Frame for Siphon Jet System (For Blowout System specify -45 -B)
- ___ -50 Flush Valve Supply Support for Water Closets
- ___ -61 "ZZ" Coupling Wrench

*REGULARLY FURNISHED UNLESS OTHERWISE SPECIFIED

REV. A DATE: 07/24/12 C.N. NO. 124611

DWG. NO. 310044 PRODUCT NO. Z1203-124