



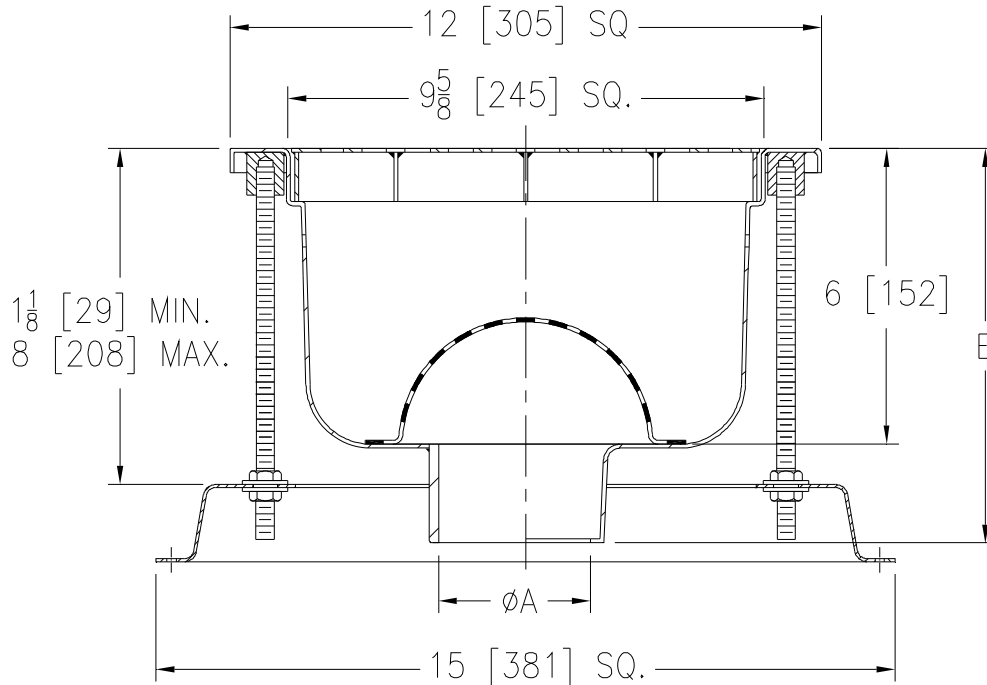
# Z1750-150

## 12 X 12 [305 x 305] SANI-FLOR RECEPTOR 6 [152] SUMP DEPTH W/ ADJUSTABLE SUPPORT PLATE

SPECIFICATION SHEET

TAG \_\_\_\_\_

Dimensional Data (inches and [ mm ]) are Subject to Manufacturing Tolerances and Change Without Notice



A- Pipe Size In.	Approx. Wt. Lbs. [kg]	Grate Open Area Sq. In. [cm <sup>2</sup> ]
2-3-4 [51-76-102]	18 [8]	23 [148]
6 [152]	20 [9]	

**ENGINEERING SPECIFICATION: ZURN Z1750-150**  
12 x 12 x 6 [305 x 305 x 152] deep, 14 gage, All Type 304 (CF8) Stainless Steel light duty Sani-Flor receptor with non-tilt, loose set full grate with 1/2 [13] square openings, anti-splash interior dome strainer and adjustable support plate

**OPTIONS** (Check/specify appropriate options)

**PIPE SIZE**

- 2 thru 4 [51 thru 102]
- 2 [51]
- 3 [76]
- 4 [102]
- 2 thru 4, 6 [51 thru 102, 152]
- 2 thru 4 [51 thru 102]

(Specify size/type) **OUTLET**

- \_\_\_\_\_ IC Inside Caulk
- \_\_\_\_\_ IP Threaded
- \_\_\_\_\_ IP Threaded
- \_\_\_\_\_ IP Threaded
- \_\_\_\_\_ NH No-Hub
- \_\_\_\_\_ NL Neo-Loc

**'E' BODY HT. DIM.**

- 8 9/16 [214]
- 7 5/16 [186]
- 7 9/16 [198]
- 8 1/16 [205]
- 8 1/16 [205]
- 7 13/16 [198]

**PREFIXES**

- \_\_\_\_\_ Z Type 304 (CF8) Stainless Steel Body\*
- \_\_\_\_\_ ZM Type 316 (CF8M) Stainless Steel

**SUFFIXES**

- |   |   |
|---|---|
| <ul style="list-style-type: none"> <li>_____ -HP Heel-Proof Grate</li> <li>_____ -LSH (Less) Seepage Holes</li> <li>_____ -P 1/2 [13] Trap Primer Connection</li> <li>_____ -SG Solid Gasketed Cover</li> <li>_____ -TC Neo-Loc Test Cap Gasket (2 - 4 [51 - 102] NL Bottom Outlet Only)</li> <li>_____ -VP Vandal-Proof Secured Top</li> <li>_____ -Y Sediment Bucket</li> <li>_____ -YS Suspended Sediment Bucket</li> <li>_____ -1 (Less) Grate</li> <li>_____ -2 1/2 Grate</li> <li>_____ -3 3/4 Grate</li> <li>_____ -4 Full Grate w/ 3 [76] Square Opening</li> </ul> | <ul style="list-style-type: none"> <li>_____ -5 Grate w/ 4 [102] Dia. x 3 3/4 [95] High Funnel</li> <li>_____ -8 Grate w/ 8 3/8 x 3 5/8 x 3 3/4 [213 x 92 x 95] High Oval Funnel</li> <li>_____ -15 Solid Cover</li> <li>_____ -16 1/2 Solid Cover</li> <li>_____ -17 3/4 Solid Cover</li> <li>_____ -18 Solid Cover w/ 3 [76] Square Center Opening</li> <li>_____ -19 Full Hinged Grate</li> <li>_____ -20 Full Hinged Solid Cover</li> </ul> |
|---|---|

\*REGULARLY FURNISHED UNLESS OTHERWISE SPECIFIED

<b>REV.</b>	<b>DATE: 6/8/07</b>	<b>C.N. NO. 96770</b>
<b>DWG. NO. P-15437 PRODUCT NO. Z1750-150</b>		