



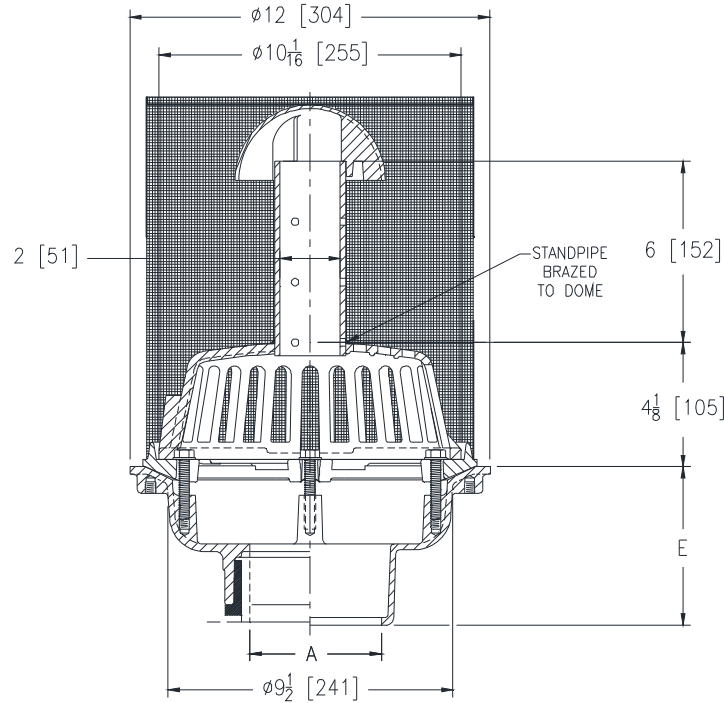
Z121-133

12 [305] DIAMETER ROOF DRAIN WITH EXTENDED BRONZE MESH SCREEN, PERFORATED STANDPIPE, AND DOME

SPECIFICATION SHEET

TAG _____

Dimensional Data (inches and [mm]) are Subject to Manufacturing Tolerances and Change Without Notice



A Pipe Size In.	Approx. Wt. Lbs. [kg]	Dome Open Area Sq. In. [cm ²]
2,3,4,5,6 [51,76,102,127,152]	22 [10]	71 [458]

ENGINEERING SPECIFICATION: ZURN Z121-133
 12" [305mm] Diameter roof drain Dura-Coated cast iron body with combination membrane flashing clamp/gravel guard, low silhouette bronze dome with extended bronze mesh screen, and 2" [51mm] diameter bronze standpipe and dome.

OPTIONS (Check/specify appropriate options)

PIPE SIZE

- 2,3,4,6 [51,76,102,152]
- 2,3,4,6 [51,76,102,152]
- 2,3,4,6 [51,76,102,152]
- 2,3,4 [51,76,102]

(Specify size/type) **OUTLET**

- _____ IC Inside Caulk
- _____ IP Threaded
- _____ NH No-Hub
- _____ NL Neo-Loc

E BODY HT. DIM.

- 5-1/4 [133]
- 3-3/4 [95]
- 5-1/4 [133]
- 4-9/16 [116]

PREFIXES

- _____ ZRB D.C.C.I. Body with Plain Bronze Dome (3-7/8 [98] Dome height)*

SUFFIXES

- | | |
|---|--|
| _____ -AR Acid Resistant Epoxy Coated Finish | _____ -SC Secondary Clamping Collar |
| _____ -C Underdeck Clamp | _____ -TC Neo-Loc Test Cap Gasket |
| _____ -DB Deep Sump Body (IC Only) | (2-4 [51-102] NL Bottom Outlet Only) |
| _____ -DP Top Set® Roof Deck Plate | _____ -VP Vandal-Proof Secured Top |
| (Replaces both the -C and -R) | _____ -XJ Vertical Expansion Joint (See Z190) |
| _____ -E Static Extension 1 [25] thru 4 [102] (Specify Ht.) | _____ -85 Stainless Steel Perforated Extension |
| _____ -EB Top-Set® Adjustable Extension Assembly | _____ -89 2 [51] High External Water Dam |
| _____ -G Galvanized Cast Iron | _____ -90 90° Threaded Side Outlet Body |
| _____ -R Roof Sump Receiver | (2-4 [51-102] Only) |

* Regularly furnished unless otherwise specified.