



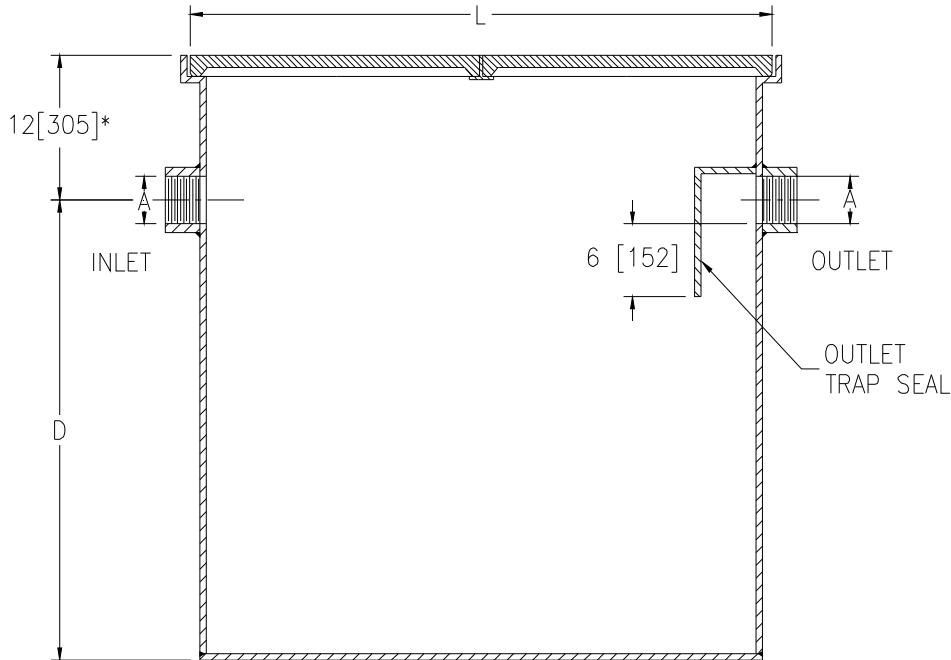
Z1187-SI-109

SAND INTERCEPTOR W/ ALTERNATE INLET AND OUTLET LOCATION

SPECIFICATION SHEET

TAG _____

Dimensional Data (inches and [mm]) are Subject to Manufacturing Tolerances and Change Without Notice



*12[305] REGULARLY FURNISHED -
SPECIFY DIMENSION IF HIGHER
OR LOWER IS REQUIRED

Size	Flow G.P.M. [L] (Max.)	A Pipe Size	Width	D	Capacity Gal. [L] (Static)	No. of 12 x 24 [305 x 610] Grates	L	Approx. Wt. Lbs. [Kg]
20	20 [76]	4 [102]	24 [610]	26 [660]	60 [227]	2	24 [610]	133 [60]
50	50 [189]	4 [102]	48 [1219]	26 [660]	120 [454]	4	24 [610]	204 [92]
150	150 [568]	4 [102]	48 [1219]	38 [965]	360 [1363]	8	48 [1219]	368 [167]
250	250 [946]	6 [152]	72 [1829]	39 [991]	540 [2044]	12	48 [1219]	1294 [587]
500	500 [1893]	6 [152]	120 [3058]	51 [1295]	1200 [4542]	20	48 [1219]	2204 [1000]

ENGINEERING SPECIFICATION: ZURN Z1187-SI-109

Acid Resistant Coated interior and exterior fabricated steel sand interceptor with threaded inlet and outlet in alternate location, complete with removable heavy-duty grates.

OPTIONS (Check/specify appropriate options)

PREFIXES

___ Z Acid Resistant Coated Fabricated Steel*

SUFFIXES

- ___ -DG Duresist Grate
- ___ -E Integral Extension Assembly
- ___ -NH No-Hub Inlet and Outlet (Specify Size)
- ___ -SC Extra-Heavy-Duty Reinforced Cover(s) for vehicular traffic. (Specify working load requirements)
- ___ -VP Vandal-Proof Screws

*REGULARLY FURNISHED UNLESS OTHERWISE SPECIFIED

REV.	DATE: 08/29/11	C.N. NO. 122005
DWG. NO. 307378	PRODUCT NO. Z1187-SI-109	

ZURN INDUSTRIES, LLC ♦ SPECIFICATION DRAINAGE OPERATION ♦ 1801 Pittsburgh Ave. ♦ Erie, PA 16514

Phone: 814455-0921 ♦ Fax: 814454-7929 ♦ World Wide Web: www.zurn.com

In Canada: ZURN INDUSTRIES LIMITED ♦ 3544 Nashua Drive ♦ Mississauga, Ontario L4V1L2 ♦ Phone: 905405-8272 Fax: 905405-1292