

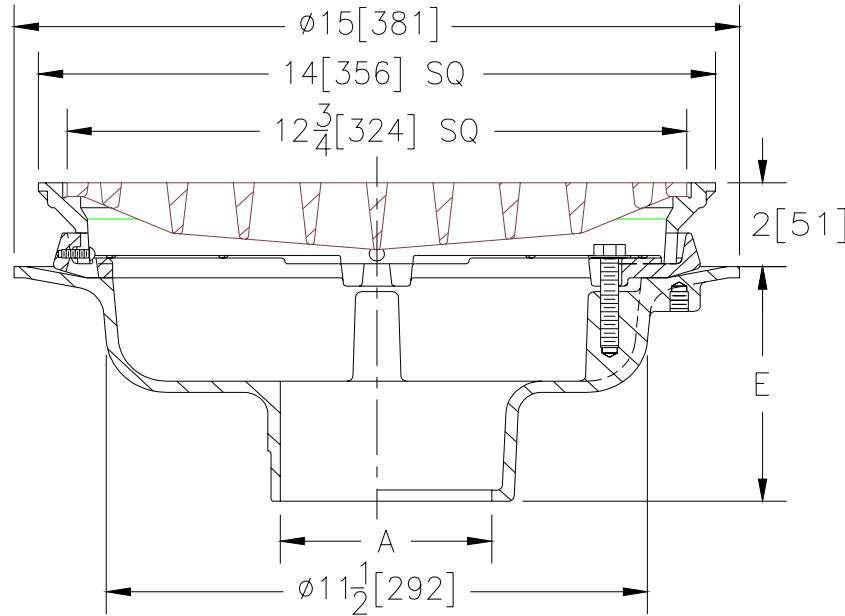


Z-150-106
14" [356] TOP PROM-DECK DRAIN

SPECIFICATION SHEET

TAG _____

Dimensional Data (inches and [mm]) are Subject to Manufacturing Tolerances and Changes Without Notice



A- Pipe Size In.	Approx. Wt. Lbs. [kg]	Grate Open Area Sq. In. [cm ²]
2-3-4 [50-75-100]	53 [24]	82 [526]
5-6 [125-150]		
8 [200]	54 [24]	
10 [250]		

ENGINEERING SPECIFICATION: ZURN Z-150-106 14 [356] Top Prom-Deck drain, Dura-Coated cast iron body with promenade frame and light-duty grate with combination membrane flashing clamp/ gravel guard.

OPTIONS (Check/specify appropriate options)

PIPE SIZE

- 2 thru 6, 8, 10 [50 thru 150, 200, 250]
- 2 thru 6, 8, 10 [50 thru 150, 200, 250]
- 2 thru 6, 8, 10 [50 thru 150, 200, 250]
- 2, 3, 4 [50, 75, 100]

(Specify size/type) **OUTLET**

- ___ IC Inside Caulk
- ___ IP Threaded
- ___ NH No-Hub
- ___ NL Neo-Loc

E BODY HT. DIM.

- 5 1/4 [133]
- 3 3/4 [95]
- 5 1/4 [133]
- 4 5/8 [117]

PREFIXES

- ___ Z- D.C.C.I. Body with Grate*

SUFFIXES

- ___ -AR Acid Resistant Epoxy Coated Finish
- ___ -C Underdeck Clamp
- ___ -DB Deep Sump Body (See Z-104)
- ___ -DG Duresist Grate
- ___ -DX Dex-o-tex Flange
- ___ -E Static Extension 1 [25] thru 4 [102] (Specify Ht.)
- ___ -EA Adjustable Extension Assembly 1 3/4 [44] thru 3 1/2 [89]
- ___ -G Galvanized Cast Iron

- ___ -R Roof Sump Receiver
- ___ -S Secondary Strainer
- ___ -SC Secondary Clamping Collar
- ___ -TS Secured Top With Slotted Screws
- ___ -VP Vandal Proof Secured Top
- ___ -XJ Vertical Expansion Joint (See Z-190)
- ___ -Y Sediment Bucket
- ___ -85 Stainless Steel Perforated Extension
- ___ -90 90° Threaded Side Outlet Body

*REGULARLY FURNISHED UNLESS OTHERWISE SPECIFIED

REV.	DATE: 10/14/96	C.N. NO.76199
DWG. NO. P-14404 PRODUCT NO. Z-150-106		