



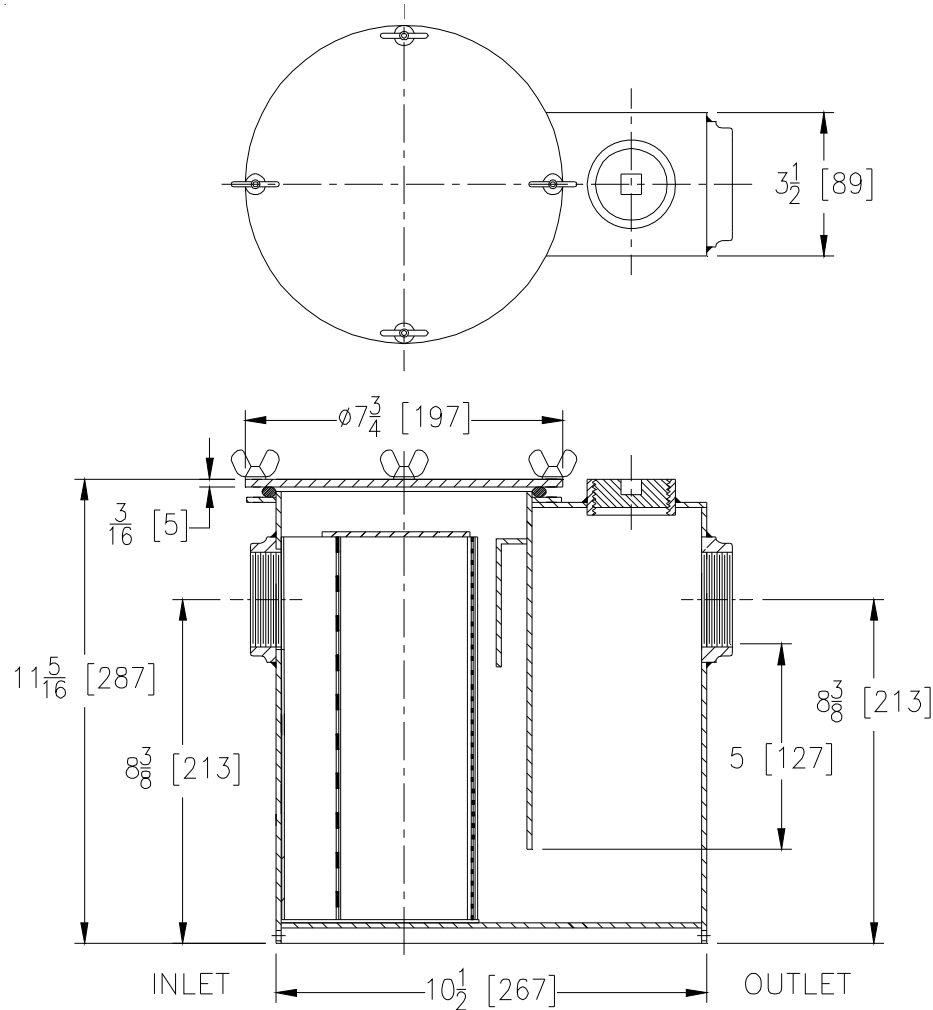
Z1180-84

SOLIDS INTERCEPTOR ALL STAINLESS STEEL

SPECIFICATION SHEET

TAG _____

Dimensional Data (inches and [mm]) are Subject to Manufacturing Tolerances and Change Without Notice



Inlet/Outlet	Flow Rate GPM [L]	Approx. Wt. Lbs. [kg]
1-1/2, 2** [38, 51]	15 [57]	10 [4]

ENGINEERING SPECIFICATION: ZURN Z1180-84

All Type 304 (CF8) Stainless steel solids interceptor, in lieu of fixture 'P' trap, for on-floor installation furnished with a removable fabricated stainless steel bucket having removable 3/8 [10] dia. perforated primary and 3/32 [2] dia. secondary flow diffusing/intercepting stainless steel screens, designed to intercept all types of solids and precious metals. Complete with a top access gasketed secured cover. Regularly furnished with 2 [50] threaded inlet and outlet.**

OPTIONS (Check/specify appropriate options)

PREFIXES

___ Z Type 304 (CF8) Stainless Steel*

SUFFIXES

___ -YR Replacement Basket Assembly

REV.	DATE: 12/16/09	C.N. NO. 110530
DWG. NO. P-15812 PRODUCT NO. Z1180-84		

*REGULARLY FURNISHED UNLESS OTHERWISE SPECIFIED