

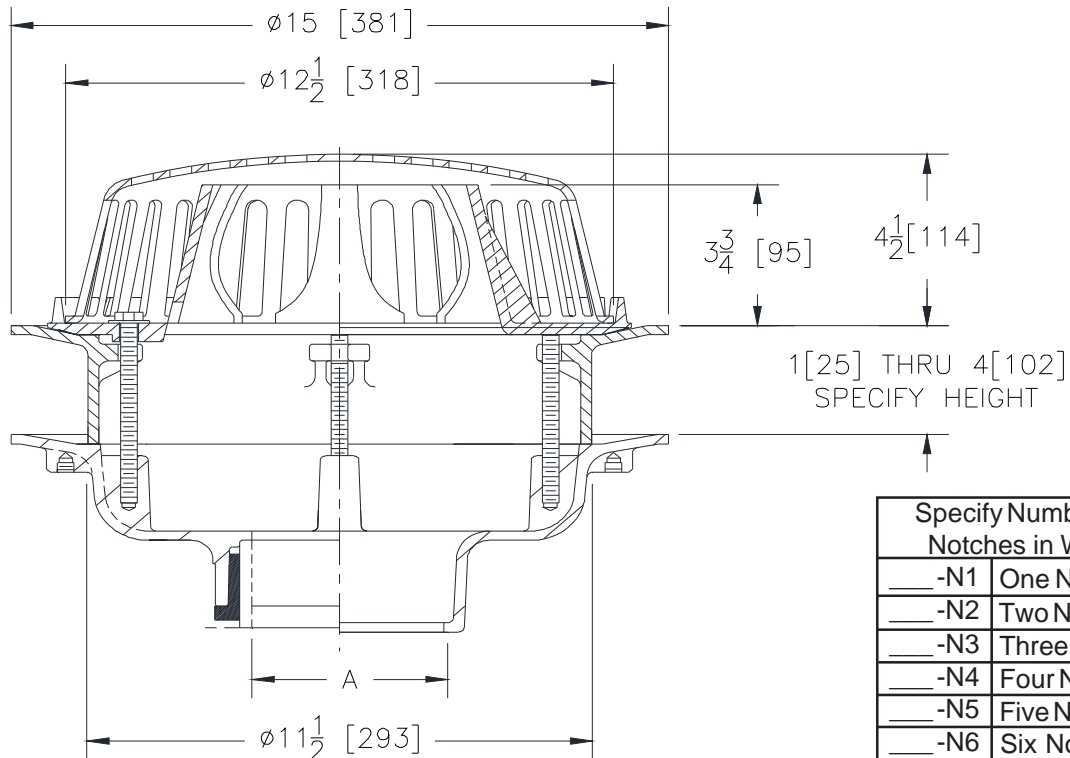


Z105-E
CONTROL-FLO ROOF DRAIN
WITH PARABOLIC WEIR AND STATIC EXTENSION

SPECIFICATION SHEET

TAG _____

Dimensional Data (inches and [mm]) are Subject to Manufacturing Tolerances and Change Without Notice



A- Pipe Size In. [mm]	Approx. Wt. Lbs. [kg]	Dome Open Area Sq. In. [cm ²]
2, 3, 4 [51,76,102]	34 [15]	103 [665]

ENGINEERING SPECIFICATION: ZURN Z105-E

Control-Flo roof drain for Dead-Level roof construction, Dura-Coated cast iron body, Control-Flo weir shall be linear functioning with integral membrane flashing clamp/gravel guard, static extension and Poly-Dome. All data shall be verified proportional to flow rates. Each notch will allow 10 GPM of flow per inch of rain water build up above drain.

OPTIONS (Check/specify appropriate options)

PIPE SIZE

- 3, 4 [76,102]
- 2, 3, 4 [51,76,102]
- 2, 3, 4 [51,76,102]

(Specify size/type) **OUTLET**

- ___ IC Inside Caulk
- ___ NH No-Hub
- ___ NL Neo-Loc

E BODY HT. DIM.

- 5-1/4 [133]
- 5-1/4 [133]
- 4-5/8 [117]

PREFIXES

- ___ Z D.C.C.I. Body with Poly-Dome*
- ___ ZA D.C.C.I. Body with High Aluminum Dome
- ___ ZC D.C.C.I. Body with Cast Iron Dome

SUFFIXES

- ___ -C Underdeck Clamp
- ___ -DP Top-Set® Deck Plate (Replaces both -C & -R)
- ___ -EA Adjustable Extension Assembly
2-1/8 [54] thru 3-1/2 [89]
- ___ -G Galvanized Cast Iron
- ___ -R Roof Sump Receiver
- ___ -TC Neo-Loc Test Cap Gasket
(2,3,4 [51,76,102] NL Bottom Outlet Only)
- ___ -VP Vandal Proof Secured Top
- ___ -10 Parabolic Weir for Sloped Roof (ZC or ZA)

* Regularly furnished unless otherwise specified.