



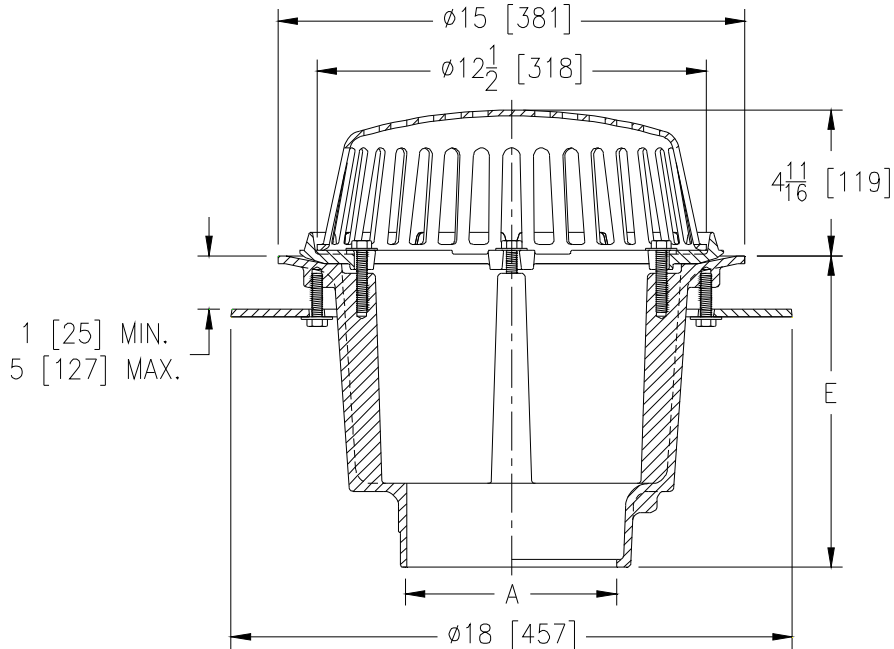
Z104-C

15 [381] DIAMETER DEEP SUMP ROOF DRAIN W/
UNDERDECK CLAMP

SPECIFICATION SHEET

TAG _____

Dimensional Data (inches and [mm]) are Subject to Manufacturing Tolerances and Change Without Notice



A Pipe Size In. [mm]	Approx. Wt. Lbs. [kg]	Dome Open Area Sq. In. [cm ²]
3, 4 [76, 102]	46 [21]	103 [665]
6, 8 [152, 203]		

ENGINEERING SPECIFICATION: ZURNZ104-C

15" [381mm] Diameter roof drain. Dura-Coated cast iron deep sump body with combination membrane flashing clamp/gravel guard, underdeck clamp and low silhouette Poly-Dome.

OPTIONS (Check/specify appropriate options)

PIPE SIZE

3, 4, 6, 8 [76, 102, 152, 203]
3, 4 [76, 102]

(Specify size/type) **OUTLET**

___ NH No-Hub
___ NL Neo-Loc

'E' BODY HT. DIM.

10 [254]
9-5/16 [237]

PREFIXES

___ Z D.C.C.I. Body with Poly-Dome*
___ ZA D.C.C.I. Body with Aluminum Dome
___ ZC D.C.C.I. Body with Cast Iron Dome

SUFFIXES

___ -AR Acid Resistant Epoxy Coated Finish	___ -SC Secondary Clamping Collar
___ -AW 3/4 [19] to 4 [102] Adjustable Water Level Regulator	___ -SS Stainless Steel Mesh Screen Over Dome
___ -DX Dex-O-Tex Flange	___ -VP Vandal-Proof Secured Top
___ -E Static Extension 1 [25] thru 4 [102] (Specify Ht)	___ -W2 2 [51] Internal Water Dam
___ -EA Adjustable Extension Assembly 2-1/8 [54] thru 3-1/2 [89]	___ -W3 3 [76] Internal Water Dam
___ -FG Flush Grate	___ -W4 4 [102] Internal Water Dam
___ -G Galvanized Cast Iron (ZC Only)	___ -84 Stainless Steel Perforated Gravel Guard
___ -HD 6-3/4 [171] High Aluminum Dome Strainer (148 sq. in. [955 cm ²] open area) (ZA only)	___ -85 Stainless Steel Perforated Extension
___ -R Roof Sump Receiver	___ -89 2 [51] High External Water Dam

* Regularly furnished unless otherwise specified.

Zurn Industries, LLC | Specification Drainage Operation
1801 Pittsburgh Avenue, Erie, PA U.S.A. 16502 · Ph. 856-663-9876, Fax 814-454-7929
In Canada | Zurn Industries Limited
3544 Nashua Drive, Mississauga, Ontario L4V 1L2 · Ph. 905-405-8272, Fax 905-405-1292
www.zurn.com

Rev. B
Date: 10/02/2017
C.N. No. 138218
Prod. | Dwg. No. Z104-C