



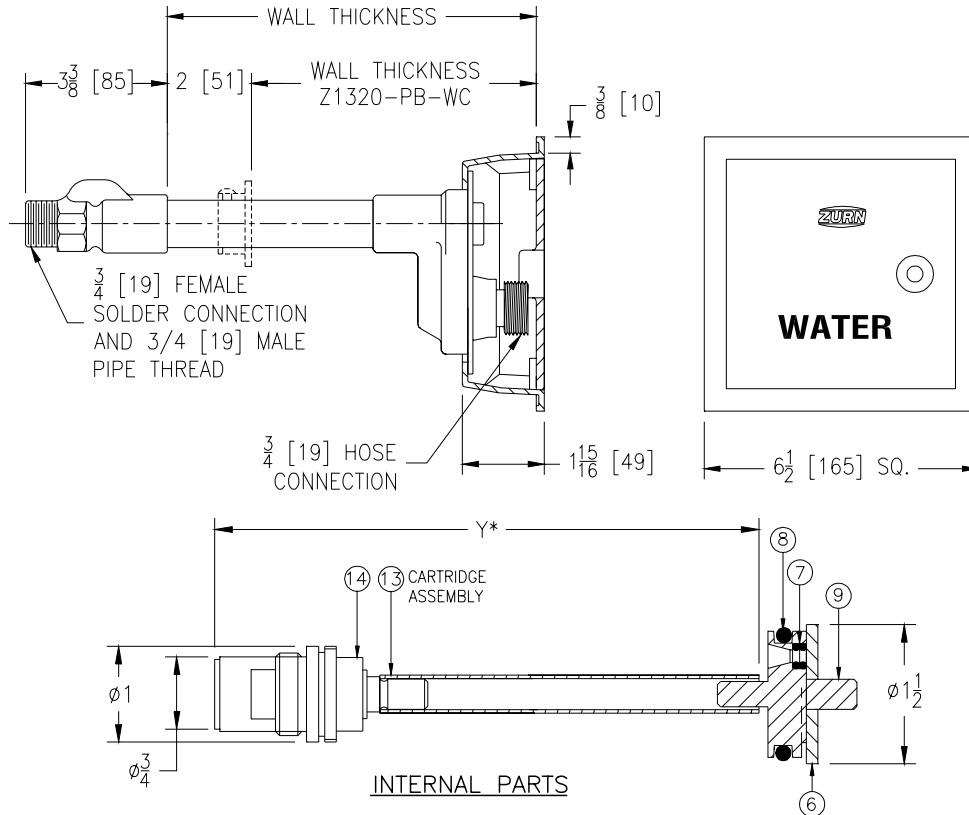
Z1320-PB

SPECIFICATION SHEET

ECOLOtrol CERAMIC DISC WALL HYDRANT Encased, Non-Freeze, Anti-Siphon, Automatic Draining

TAG _____

Dimensional Data (inches and [mm]) are Subject to Manufacturing Tolerances and Change Without Notice



Wall Thickness Inches	Approx. Wt. Lbs. [kg]
6-8 [152-203]	9 [4]
10-12-14 [254-305-356]	12 [5]
16-18 [406-457]	15 [7]
20-22-24 [508-559-610]	18 [8]
26 [660]	20 [9]

ENGINEERING SPECIFICATION: ZURN Z1320-PB Encased Ecolotrol "anti-siphon" automatic draining wall hydrant for flush installation. Complete with copper casing, all bronze interior parts with 1/2 turn ceramic disk cartridge and combination 3/4[19] female solder and 3/4[19] male pipe thread inlet. Polished bronze box and hinged cover with operating key lock and "WATER" cast on cover. (All solder connections are lead free.)

OPTIONS (Check/specify appropriate options)

SUFFIXES

- _____ -CL Cylinder Lock
- _____ -NB Polished Nickel Bronze Face
- _____ -RK Hydrant Parts Repair Kit
- _____ -RT12 Ceramic Cartridge Removal Tool (Up to 12 [305] Wall)
- _____ -RT24 Ceramic Cartridge Removal Tool (Up to 24 [610] Wall)
- _____ -RT36 Ceramic Cartridge Removal Tool (Up to 36 [915] Wall)
- _____ -WC Wall Clamp
- _____ -34EL 3/4 [19] 90° Solder Inlet Elbow
- _____ -34FIP 3/4 [19] IP Straight Female Inlet Adapter

PARTS LIST

Item	Name	Quan.
14	Cartridge	1
13	Operating Tube	1
9	Operating Coupling	1
8	'O' Ring	1
7	'O' Ring	2
6	Retaining Washer	1

*WHEN ORDERING REPLACEMENT CARTRIDGE ASSEMBLY SPECIFY Y DIM.

REV. A	DATE: 8/22/03	C.N. NO. 91196
DWG. NO. 66460		PRODUCT NO. Z1320-PB