



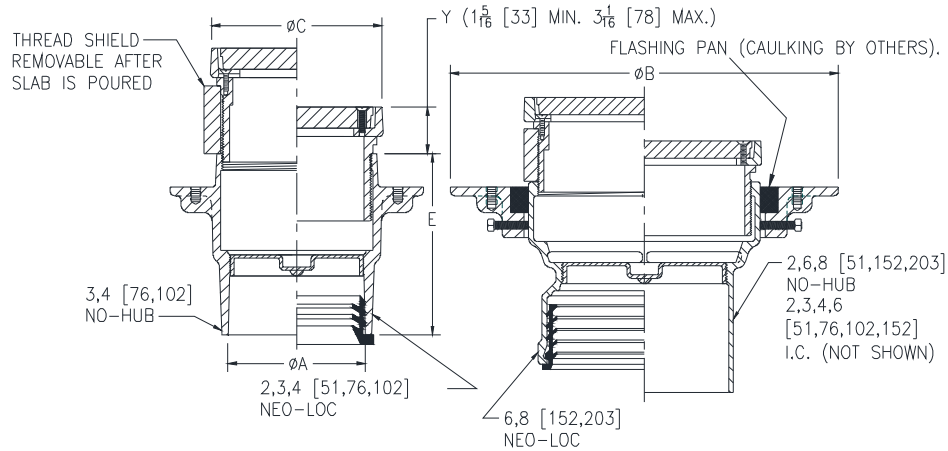
# Z1400-K

## HEAVY-DUTY "LEVEL-TROL" ADJUSTABLE FLOOR CLEANOUT W/ ANCHOR FLANGE

SPECIFICATION SHEET

TAG \_\_\_\_\_

Dimensional Data (inches and [ mm ]) are Subject to Manufacturing Tolerances and Change Without Notice



### ENGINEERING SPECIFICATION: ZURNZ1400-K

"Level-Trol" Adjustable floor cleanout, Dura-Coated cast iron body with anchor flange, gas and watertight ABS tapered thread plug and round scoriated cast iron heavy-duty secured top (Specify finish Z, ZB, ZN, ZS) adjustable to finished floor.

A-Pipe Size	Dimension In Inches [mm]			Approx. Wt. Lbs. [kg.]
	B	C	E	
Inside Caulk				
2 [51]	9-1/2 [241]	6-1/8 [156]	6-7/8 [175]	18.1 [8.2]
3 [76]	9-1/2 [241]	6-1/8 [156]	6-7/8 [175]	18.8 [8.5]
4 [102]	11-1/2 [292]	7-1/4 [184]	6-7/8 [175]	20.3 [9.2]
6 [152]	12-1/4 [292]	9-1/4 [235]	6-7/8 [175]	39.2 [17.8]
No-Hub				
2 [51]	7-1/2 [191]	4-1/8 [105]	4-5/8 [117]	11.3 [5.1]
3 [76]	7-1/2 [191]	5-1/8 [130]	5-3/8 [137]	10 [4.5]
4 [102]	7-1/2 [191]	5-1/8 [130]	5-3/8 [137]	12.6 [5.7]
6 [152]	11-1/2 [292]	8-1/4 [210]	4-3/4 [121]	29.2 [132]
8 [203]	12-1/4 [311]	9-1/4 [235]	7-1/2 [191]	37.9 [17.2]
Neo-Loc				
2 [51]	7-1/2 [191]	5-1/8 [130]	5-3/8 [137]	12.2 [5.5]
3 [76]	7-1/2 [191]	5-1/8 [130]	5-3/8 [137]	12.9 [6]
4 [102]	7-1/2 [191]	5-1/8 [130]	5-3/8 [137]	14.2 [6.4]
6 [152]	11-1/2 [292]	8-1/4 [210]	5-7/8 [149]	28.9 [13.1]
8 [203]	12-1/4 [311]	9-1/4 [235]	6-1/2 [165]	31.5 [14.3]

**OPTIONS** (Check/specify appropriate options)

**PREFIXES**

- \_\_\_ Z Dura Coated Cast Iron\*
- \_\_\_ ZB D.C.C.I. w/ Polished Bronze Light-Duty Top (Deduct 3/4 [19] from 'Y' Dim.)
- \_\_\_ ZN D.C.C.I. w/ Polished Nickel Bronze Light-Duty Top (Deduct 3/4 [19] from 'Y' Dim.)
- \_\_\_ ZS D.C.C.I. w/ Polished Stainless Steel Heavy-Duty Top (Add 3/16 [5] to 'Y' Dim.)

**SUFFIXES**

- \_\_\_ -AR Acid Resisting Epoxy Coated Finish
- \_\_\_ -BP Bronze Plug
- \_\_\_ -C Clamp Collar
- \_\_\_ -CF Carpet Flange Cover (ZB and ZN only)
- \_\_\_ -CM Carpet Marker
- \_\_\_ -DC Duresist Cover
- \_\_\_ -DX Round ZB or ZN Top with Dex-o-tex Flange (2,3,4 [51,76,102] Sizes only)
- \_\_\_ -G Galvanized Cast Iron
- \_\_\_ -HD Heavy-Duty Veneer Top (Add 3/16 [5] to 'Y' Dim.) (ZB and ZN only)
- \_\_\_ -SA Stabilizer Assembly
- \_\_\_ -SG Solid Gasketed Cover
- \_\_\_ -SM Special Marking Stamped on Top
- \_\_\_ -T Square Top
- \_\_\_ -TC Neo-Loc Test Cap Gasket (2,3,4 [51,76,102] NL Bottom Outlet Only)
- \_\_\_ -TX Square Top Recessed for 1/8 [3] Tile (ZB and ZN only)
- \_\_\_ -VP Vandal-Proof Screws
- \_\_\_ -X Round Top Recessed for 1/8 [3] Tile (ZB or ZN only)
- \_\_\_ -Z Round Top Recessed for 1-1/4 [32] Terrazzo (ZB or ZN only)

**PIPE SIZE**

- 2,3,4,6 [51,76,102,152]
- 2,3,4,6,8 [51,76,102,152,203]
- 2,3,4,6,8 [51,76,102,152,203]

**OUTLET** (Specify size/type)

- \_\_\_ IC Inside Caulk
- \_\_\_ NH No-Hub
- \_\_\_ NL Neo-Loc

**'E' BODY HT. DIM.**

- See Chart
- See Chart
- See Chart

\* Regularly furnished unless otherwise specified.