



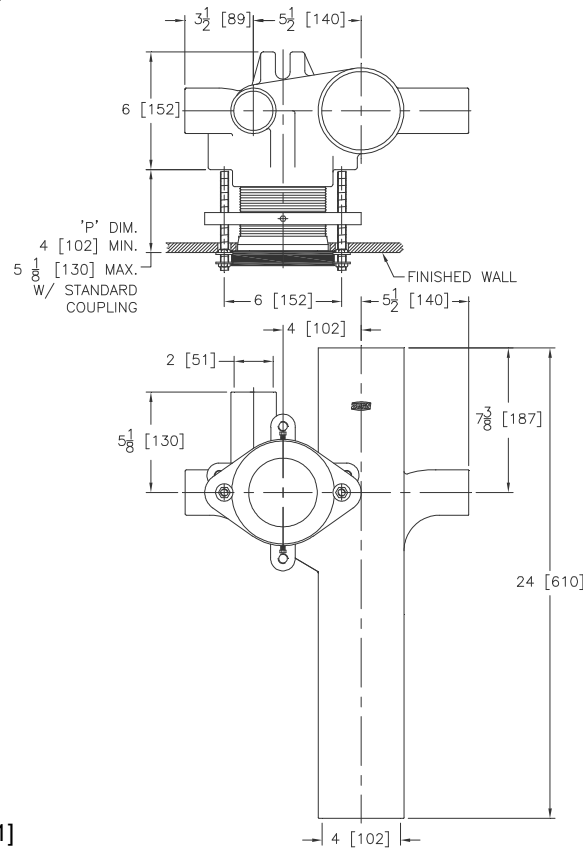
Z1209-N-83

SPECIFICATION SHEET

VERTICAL OFFSET SIPHON JET WATER CLOSET SUPPORT SYSTEM FOR FLOOR MOUNTED BACK OUTLETS

TAG _____

Dimensional Data (inches and [mm]) are Subject to Manufacturing Tolerances and Change Without Notice



Note:

1. Min. 'P' Dim. Obtainable=2 [51]

Product No.	Approx. Wt. Lbs. [kg]
Z1209-NL, NR4-83	67 [30]
Z1209-HL, HR4-83	82 [37]

ENGINEERING SPECIFICATION: ZURN Z1209-N-83 Vertical Siphon Jet Water Closet "Rigid System" with 4 [102] size No-Hub or Hub and Spigot connections. Complete with Dura-Coated cast iron main fitting, corrosion resistant adjustable ABS coupling with integral test cap, floor mounted, back outlet fixture support and bonded "Neo-Seal" gasket.

PRODUCT/DEFINITION

- _____ Z1209-NL4-83 4 [102] No-Hub Stack, Left Hand Offset Inlet, 2 [51] Left Hand Vent
- _____ Z1209-NR4-83 4 [102] No-Hub Stack, Right Hand Offset Inlet, 2 [51] Right Hand Vent
- _____ Z1209-HL4-83 4 [102] Hub & Spigot Stack, Left Hand Offset Inlet, 2 [51] Left Hand Vent
- _____ Z1209-HR4-83 4 [102] Hub & Spigot Stack, Right Hand Offset Inlet, 2 [51] Right Hand Vent

PREFIXES

- _____ Z D.C.C.I. System with Zurn "ZZ" Adjustable Coupling

SUFFIXES

- _____ -CC Cast Iron Coupling
- _____ -CL Coupling Length Greater than 12 [305] (Specify length if greater than 6 [152])
- _____ -G Galvanized Cast Iron
- _____ -JJ Two 2 [51] Auxiliary Inlet
- _____ -JS 2 [51] Auxiliary Inlet Stack Side
- _____ -JV 2 [51] Auxiliary Inlet Vent Side
- _____ -VP Vandal Proof Trim
- _____ -29 Mechanical Test Cap Assembly (Previously Z-1210-45)
- _____ -61 "ZZ" Coupling Wrench

*REGULARLY FURNISHED UNLESS OTHERWISE SPECIFIED

REV.	DATE: 02/16/07	C.N. NO. 96209
DWG. NO. P-15380		PRODUCT NO. Z1209-N-83