

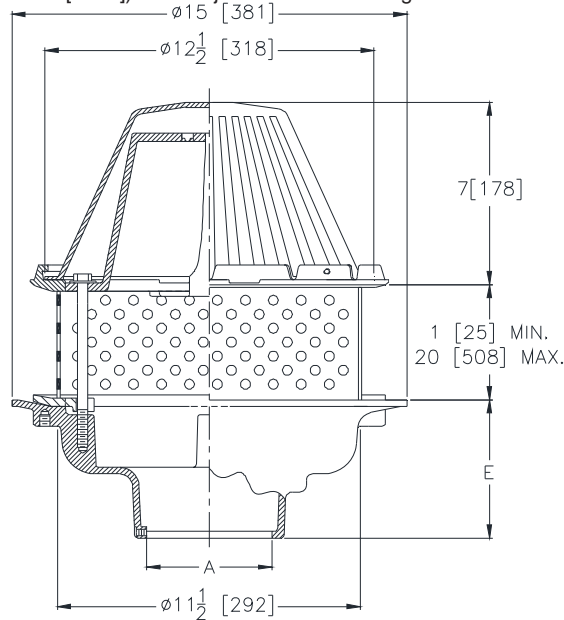


# Z105-107

## CONTROL-FLO ROOF DRAIN

### W/ PARABOLIC WEIR AND PERFORATED EXTENSION

Dimensional Data (inches and [ mm ]) are Subject to Manufacturing Tolerances and Change Without Notice



A Pipe Size Inches / [mm]	Approx. Wt. Lbs. / [kg]	Dome Open Area Sq. In. / [sq cm]
2,3,4 [51,76,102]	34 [15]	148 [955]

#### ENGINEERING SPECIFICATION: ZURN Z105-107

"Control-Flo" roof drain for dead-level roof construction, Dura-Coated cast iron body. "Control-Flo" weir shall be linear functioning with integral membrane flashing clamp/gravel guard, perforated extension, and Poly-Dome. All data shall be verified proportional to flow rates.

NOTE: Flow through perforated extension should be accounted for when calculating total flow through drain.

#### OPTIONS (Check/specify appropriate options)

#### PIPE SIZE

- 2,3,4 [51,76,102]
- 2,3,4 [51,76,102]
- 2,3,4 [51,76,102]
- 2,3,4 [51,76,102]

#### (Specify size/type) OUTLET

- \_\_\_\_\_ IC Inside Caulk
- \_\_\_\_\_ IP Threaded
- \_\_\_\_\_ NH No-Hub
- \_\_\_\_\_ NL Neo-Loc

#### E BODY HT. DIM.

- 5 1/4 [133]
- 3 3/4 [95]
- 5 1/4 [133]
- 4 5/8 [117]

#### PREFIXES

- \_\_\_\_\_ Z- D.C.C.I. Body with Poly-Dome\*
- \_\_\_\_\_ ZA- D.C.C.I. Body with Aluminum Dome

#### SUFFIXES

- \_\_\_\_\_ -A Waterproof Flange
- \_\_\_\_\_ -AR Acid Resistant Epoxy Coated Finish
- \_\_\_\_\_ -C Underdeck Clamp
- \_\_\_\_\_ -E Static Extension 1 [25] thru 4 [102] (Specify Ht.)
- \_\_\_\_\_ -EA Adjustable Extension Assembly  
1 3/4 [44] thru 3 1/2 [89]
- \_\_\_\_\_ -EB Elevating Body Plate
- \_\_\_\_\_ -G Galvanized Cast Iron
- \_\_\_\_\_ -R Roof Sump Receiver
- \_\_\_\_\_ -VP Vandal Proof Secured Top
- \_\_\_\_\_ -90 90° Threaded Side Outlet Body

\* Regularly furnished unless otherwise specified.