



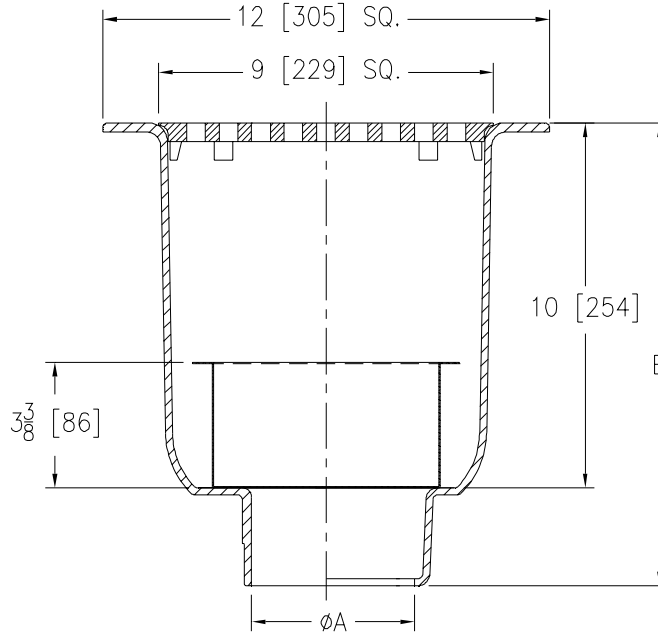
# Z1902-83

SPECIFICATION SHEET

## 12 X 12 [305 X 305] A.R.E. SANI-FLOR RECEPTOR 10 [254] SUMP DEPTH W/ MESH BUCKET

TAG \_\_\_\_\_

Dimensional Data (inches and [ mm ]) are Subject to Manufacturing Tolerances and Change Without Notice



A- Pipe Size In.	Approx Wt. Lbs. [kg]	Grate Open Area Sq. In. [cm <sup>2</sup> ]
2-3-4 [51-76-102]	36 [16]	31 [200]

**ENGINEERING SPECIFICATION:** ZURN Z1902-83 Sani-Flor Receptor 12x12 x 10 [305x305x259] Deep cast iron body and square slotted light duty grate, with white acid resisting porcelain enamel interior and top, complete with stainless steel mesh bucket.

**OPTIONS** (Check/specify appropriate options)

**PIPE SIZE**

- 2-3-4 [51-76-102]
- 2-3-4 [51-76-102]
- 2-3-4 [51-76-102]

(Specify size/type) **OUTLET**

- \_\_\_ IC Inside Caulk
- \_\_\_ NH No-Hub
- \_\_\_ NL Neo-Loc

**'E' BODY HT. DIMENSION**

Z	ZN
12 5/8 [321]	13 1/8 [333]
12 5/8 [321]	13 1/8 [333]
12 [305]	12 1/2 [318]

**PREFIXES**

- \_\_\_ Z Cast Iron Body with White A.R.E. Interior\*
- \_\_\_ ZN Cast Iron Body with White A.R.E. Interior, 12 1/2 [318] Square N.B. Frame and Full Grate with 1/2 [13] Square Openings (Add 1/2 [13] to 12 [305] and 'E' Dim )

**SUFFIXES**

- |  |  |
|--|--|
| ___ -DX Dex-o-Tex Flange   | ___ -9 Angle Frame and Grate                             |
| ___ -HD Nickel Bronze Frame w/ X-Heavy Duty Stainless Steel Grate        | ___ -11 Vandal Proof Secured Grate                       |
| ___ -HP Heel-Proof Grate   | ___ -12 Depressed Aluminum Grate                         |
| ___ -K Anchor Flange   | ___ -15 Solid Loose Set Cover                            |
| ___ -KC Anchor Flange with Seepage Holes and Clamp Collar                | ___ -16 1/2 Solid Loose Set Cover                        |
| ___ -P 1/2 [13] Trap Primer Connection (See Z1023)                       | ___ -17 3/4 Solid Loose Set Cover                        |
| ___ -TC Neo-Loc Test Cap Gasket (2 - 4 [50 - 100] NL Bottom Outlet Only) | ___ -18 Solid Loose Set Cover with Square Center Opening |
| ___ -1 (Less) Grate  | ___ -19 Full Hinged Grate                                |
| ___ -2 1/2 Grate   |  |
| ___ -3 3/4 Grate   |  |
| ___ -4 Full Grate with Square Center Opening                             |  |
| ___ -5 Grate w/ 4 [102] Dia. x 3 3/4 [95] High Funnel                    |  |
| ___ -6 Grate w/ 6 [152] Dia. x 6 [152] High Funnel                       |  |
| ___ -7 Grate w/ 6 3/4 x 3 x 1 [171 x 76 x 25] High Oval Funnel           |  |
| ___ -8 Grate w/ 8 7/8 x 3 5/8 x 3 3/4 [225 x 92 x 95] High Oval Funnel   |  |

\*REGULARLY FURNISHED UNLESS OTHERWISE SPECIFIED

REV.	DATE: 02/06/06	C.N. NO. 94643
DWG. NO. P-15249	PRODUCT NO. Z1902-83	

ZURN INDUSTRIES, INC. ♦ SPECIFICATION DRAINAGE OPERATION ♦ 1801 Pittsburgh Ave. ♦ Erie, PA 16514

Phone: 814/455-0921 ♦ Fax: 814/454-7929 ♦ World Wide Web: www.zurn.com

In Canada: ZURN INDUSTRIES LIMITED ♦ 3544 Nashua Drive ♦ Mississauga, Ontario L4V1L2 ♦ Phone: 905/405-8272 Fax: 905/405-1292