



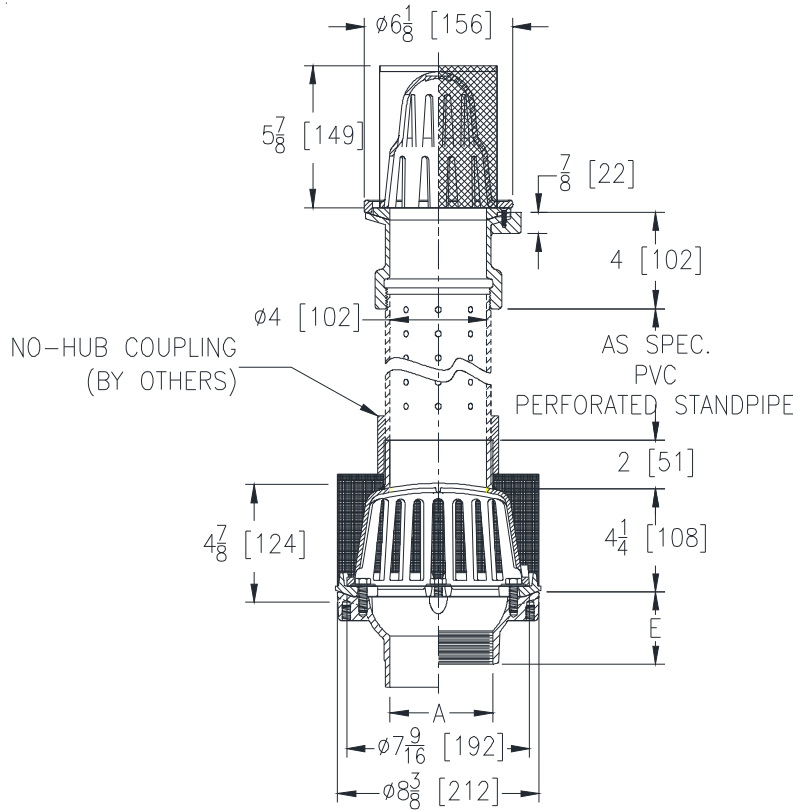
# Z125-124

8-3/8" [213] DIAMETER ROOF DRAIN W/SECURED DOME WITH  
4 [102] NO-HUB STANDPIPE, STAINLESS STEEL MESH  
OVER DOME, AND Z181-HD-SS UPPER DRAIN

**SPECIFICATION SHEET**

**TAG** \_\_\_\_\_

Dimensional Data (inches and [ mm ]) are Subject to Manufacturing Tolerances and Change Without Notice



A Pipe Size Inches [mm]	Approx. Wt. Lbs. [kg]	Strainer Open Area Sq. In. [cm <sup>2</sup> ]
2, 3, 4 [51, 76, 102]	20 [9]	53 [342]

**ENGINEERING SPECIFICATION: ZURN Z125-124**

8-3/8" [213 mm] Diameter roof drain. Dura-Coated cast iron body with combination membrane flashing clamp/gravel guard, low silhouette secured dome with stainless steel mesh liner, 4" [102 mm] PVC standpipe and Z181-HD-SS upper drain assembly.

**OPTIONS** (Check/specify appropriate options)

**PIPE SIZE**

- 2, 3, 4 [51, 76, 152]
- 2, 3, 4 [51, 76, 152]
- 2, 3, 4 [51, 76, 152]
- 2, 3, 4 [51, 76, 102]

(Specify size/type) **OUTLET**

- \_\_\_\_\_ IC Inside Caulk
- \_\_\_\_\_ IP Threaded
- \_\_\_\_\_ NH No-Hub
- \_\_\_\_\_ NL Neo-Loc

**E BODY HT. DIM.**

- 5-1/4 [133]
- 3-3/4 [95]
- 5-1/4 [133]
- 4-9/16 [116]

**PREFIXES**

- \_\_\_\_\_ ZBD.C.C.I. Body Assembly w/ Polished Bronze Top
- \_\_\_\_\_ ZND.C.C.I. Body Assembly w/ Polished Nickel Bronze Top\*

**SUFFIXES**

- \_\_\_\_\_ -AR Acid Resistant Epoxy Coated
- \_\_\_\_\_ -C Underdeck Clamp
- \_\_\_\_\_ -DP Top-Set® Deck Plate (Replaces both the -C and -R)
- \_\_\_\_\_ -E Static Extension 1 [25] thru 4 [102] (Specify Ht.)
- \_\_\_\_\_ -G Galvanized Cast Iron
- \_\_\_\_\_ -GD Galvanized Cast Iron Dome (Lower Dome)
- \_\_\_\_\_ -R Roof Sump Receiver
- \_\_\_\_\_ -SS Mesh Over Stand Pipe
- \_\_\_\_\_ -TC Neo-Loc Test Cap Gasket (2,3,4 [51,76,102] NL Bottom Outlet Only)
- \_\_\_\_\_ -VP Vandal-Proof Secured Top
- \_\_\_\_\_ -90 90° Threaded Side Outlet Body (2,3,4 [51,76,102])

\* Regularly furnished unless otherwise specified.