



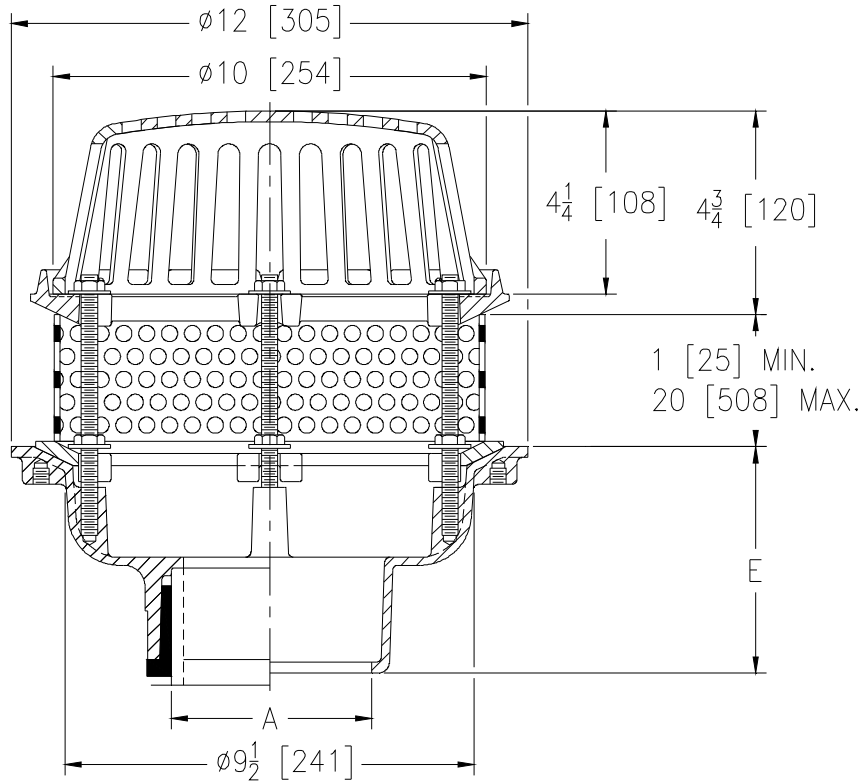
# Z121-85

## 12 [305] DIAMETER ROOF DRAIN W/ PERFORATED EXTENSION

SPECIFICATION SHEET

TAG \_\_\_\_\_

Dimensional Data (inches and [ mm ]) are Subject to Manufacturing Tolerances and Change Without Notice



A Pipe Size in [mm]	Approx Wt. lbs [kg]	Dome Open Area in <sup>2</sup> [cm <sup>2</sup> ]
2,3,4,6 [51,76,102,152]	24 [11]	78 [503]

### ENGINEERING SPECIFICATION: ZURNZ121-85

12" [305mm] Diameter roof drain. Dura-Coated cast iron body with combination membrane flashing clamp/gravel guard secondary clamping collar, stainless steel perforated extension and low silhouette Poly-Dome.

### OPTIONS (Check/specify appropriate options)

#### PIPE SIZE

2,3,4,6 [51,76,102,152]  
 2,3,4,6 [51,76,102,152]  
 2,3,4,6 [51,76,102,152]  
 2,3,4 [51,76,102]

#### (Specify size/type) OUTLET

\_\_\_\_\_ IC Inside Caulk  
 \_\_\_\_\_ IP Threaded  
 \_\_\_\_\_ NH No-Hub  
 \_\_\_\_\_ NL Neo-Loc

#### E BODY HT. DIM.

5-1/4 [133]  
 3-3/4 [95]  
 5-1/4 [133]  
 4-9/16 [116]

#### PREFIXES

\_\_\_\_\_ Z D.C.C.I. Body with Poly-Dome (4-1/4 [108] Dome Height)\*  
 \_\_\_\_\_ ZA D.C.C.I. Body with Aluminum Dome (6-9/16 [167] Dome Height)  
 \_\_\_\_\_ ZC D.C.C.I. Body with Cast Iron Dome

#### SUFFIXES

_____ -AR Acid Resistant Epoxy Coated	_____ -R Roof Sump Receiver
_____ -C Underdeck Clamp	_____ -SS Stainless Mesh Screen Over Dome
_____ -DB Deep Sump Body (IC Only)	_____ -TC Neo-Loc Test Cap Gasket
_____ -DP Top-Set® Roof Deck Plate (Replaces both -C and -R)	_____ (2,3,4 [51,76,102] NL Bottom Outlet Only)
_____ -E Static Extension 1 [25] thru 4 [102] (Specify Ht.)	_____ -VP Vandal Proof Secured Top
_____ -EB Top-Set Adjustable Extension Assembly	_____ -XJ Vertical Expansion Joint
_____ -FG Flush Grate	_____ -84 Stainless Steel Perforated Gravel Guard
_____ -G Galvanized Cast Iron	_____ -90 90° Threaded Side Outlet Body

\* Regularly furnished unless otherwise specified.