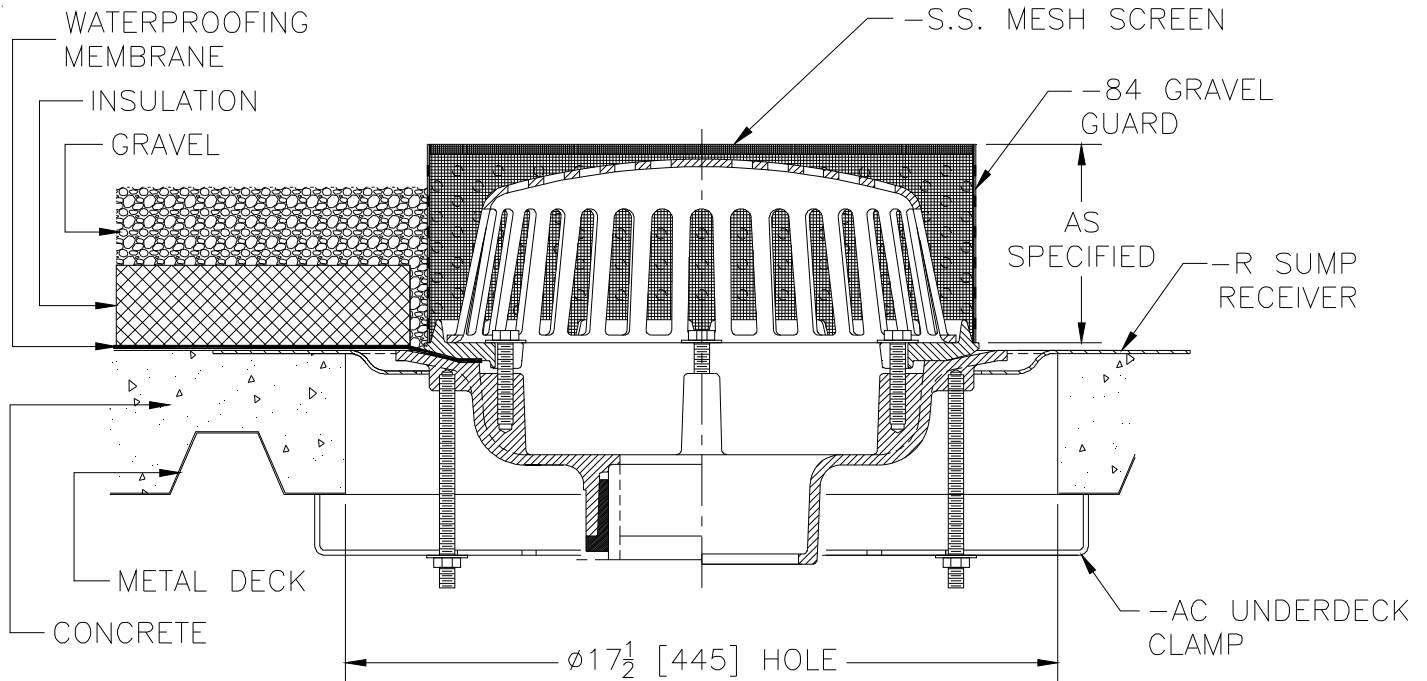




TYPICAL INSTALLATION FOR
Z100-AC-R-SS-84
INVERTED ROOF STEEL DECK

Dimensional Data (inches and [mm]) are Subject to Manufacturing Tolerances and Change Without Notice



Z100-AC-R-SS-84
INVERTED ROOF STEEL DECK

Drain installed in a steel deck with insulated built-up roof. Drain is illustrated with angular underdeck clamp (-AC), stainless steel mesh screen over dome (-SS), roof sump receiver (-R), and gravel guard (-84).

Form # RD13

Date: 05/18/11

C.N. No. 121303

Rev. B