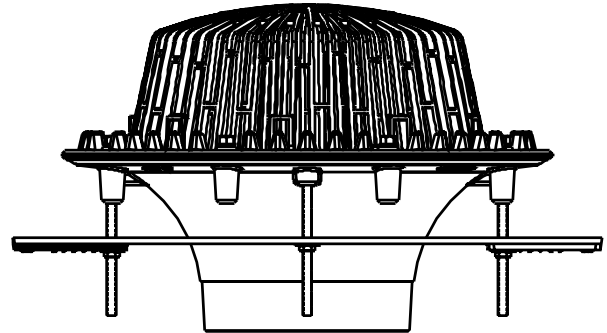
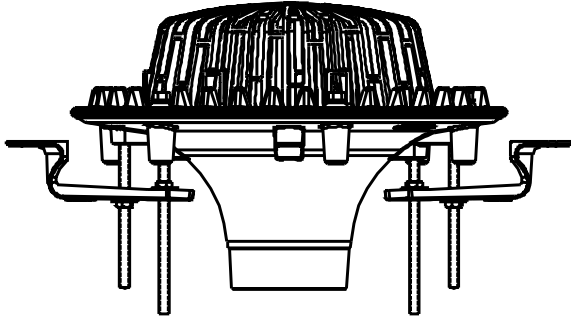




# Z100F-C FLOFORCE™ ROOF DRAIN WITH UNDER DECK CLAMPS INSTALLATION INSTRUCTIONS

Design and Dimensional Data (inches and [ mm ]) are Subject to Manufacturing Tolerances and Change Without Notice

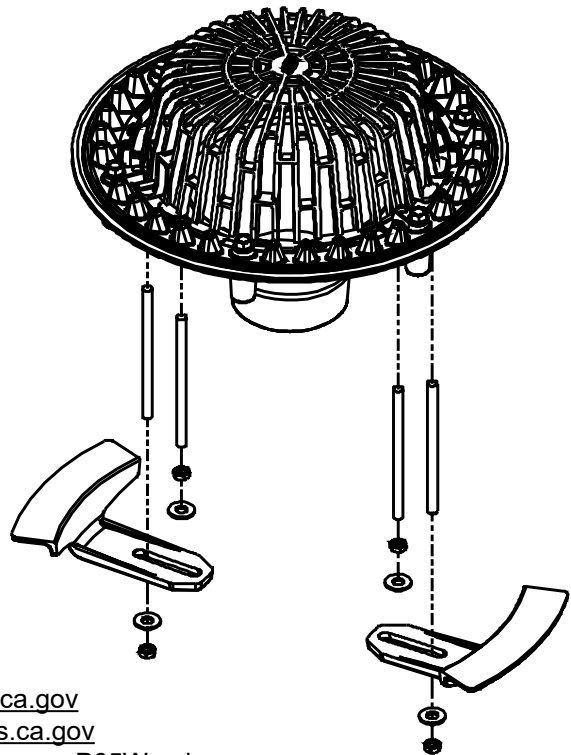


### For drain bodies with 2[51] thru 4[102] outlet sizes

1. For drain installation instructions, reference Zurn document Form # RD139.
2. Locate two of the drilled and tapped bolt holes on the underside surface of the cast iron drain body. The selected bolt holes should be 180 degrees apart.
3. Thread the provided rod into the two bolt holes.
4. Prepare the other two threaded rods by threading jam nuts facing downwards with washers onto them.
5. Slide the underdeck clamp onto the threaded rod that is attached to the drain body and hold in place with a washer and jam nut.
6. Using the threaded rod assembly from Step 4, insert the rod downward through the clamp collar and hand tighten the nut until the underdeck clamp is held in place.
7. Adjust both nuts (one upwards and one downwards) to pivot the clamp until it is secured to the underside of the roof deck.
8. Tighten the nuts securely, forcing the underdeck clamp to push and secure the drain body against the underside of the roof deck.
9. Repeat the process with the second clamp.

### For drain bodies with 6[152] and 8[203] outlet sizes

1. Locate two of the drilled and tapped bolt holes on the underside surface of the cast iron drain body. The selected bolt holes should be 180 degrees apart.
2. Insert the provided rod into the two bolt holes.
3. Place the two halves of the underdeck clamp so that they overlap each other and create a full circular clamp.
4. Slide the combined clamp components over the threaded rods that are extending down from the drain body.
5. Secure the clamps with provided jam nuts and washers and tighten down until the clamp secured the drain body from the underside of the roof deck.



**⚠ WARNING:** Cancer and Reproductive Harm - [www.P65Warnings.ca.gov](http://www.P65Warnings.ca.gov)

**⚠ ADVERTENCIA:** Cáncer y daño reproductivo - [www.P65Warnings.ca.gov](http://www.P65Warnings.ca.gov)

**⚠ AVERTISSEMENT:** Cancer et effets néfastes sur la reproduction - [www.P65Warnings.ca.gov](http://www.P65Warnings.ca.gov)

Zurn Industries, LLC | Specification Drainage Operation  
1801 Pittsburgh Avenue, Erie, PA 16502, Ph. 855.663.9876

In Canada | Zurn Industries Limited  
7900 Goreway Drive, Unit 10, Brampton, Ontario L6T 5W6, Ph. 877.892.5216

[www.zurn.com](http://www.zurn.com)

Rev. A  
Date: 05/05/2022  
C.N. No. 144476  
Form No. RD151

Page 1 of 1