



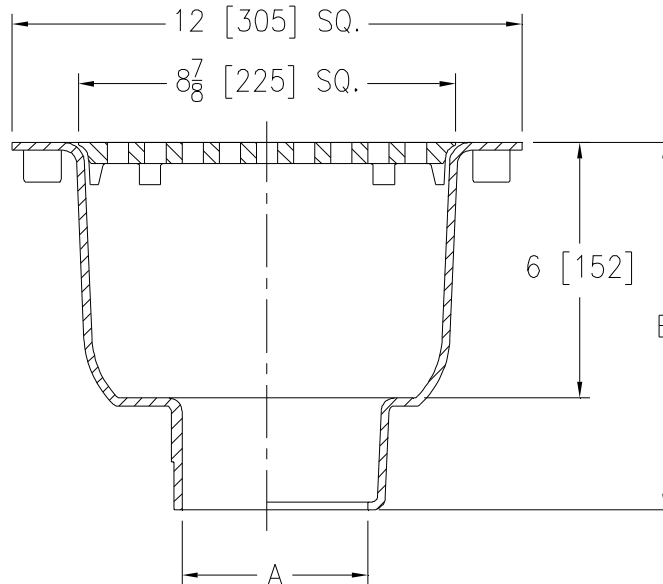
# Z1900-LD

12 x 12 [305 x 305] A.R.E. SANI-FLOR RECEPTOR 6 [152]  
SUMP DEPTH LESS BOTTOM DOME STRAINER

SPECIFICATION SHEET

TAG \_\_\_\_\_

Dimensional Data (inches and [ mm ]) are Subject to Manufacturing Tolerances and Change Without Notice



A Pipe Size In [mm]	Approx Wt. Lbs.[kg]	Grate Open Area Sq. In. [cm <sup>2</sup> ]
2,3,4 [51,76,102]	32 [15]	31 [200]

### ENGINEERING SPECIFICATION: ZURN Z1900-LD

Sani-Flor Receptor 12" x 12" x 6" [305mm x 305mm x 152mm] deep cast iron body and square slotted light duty grate, with white acid resisting porcelain enamel interior and top, black ground enamel exterior coating, less bottom dome strainer.

### OPTIONS (Check/specify appropriate options)

#### PIPE SIZE

- 3,4 [76,102]
- 2,3,4 [51,76,102]
- 2,3,4 [51,76,102]

#### (Specify size/type) OUTLET

- \_\_\_ IC Inside Caulk
- \_\_\_ NH No-Hub
- \_\_\_ NL Neo-Loc

#### 'E' BODY HT. DIMENSION

Z	ZN / ZS
8-5/8 [219]	9-1/8 [232]
8-5/8 [219]	9-1/8 [232]
8 [203]	8-1/2 [216]

#### PREFIXES

- \_\_\_ Z Cast Iron Body with White A.R.E. Interior\*
- \_\_\_ ZN Cast Iron Body with White A.R.E. Interior, 12-1/2 [317] Square Nickel Bronze Frame and Full Grate with 1/2 [13] Openings
- \_\_\_ ZS Cast Iron Body with White A.R.E. Interior, 12-1/2 [317] Square Stainless Steel Frame and Full Grate with 1/2 [13] Openings

#### SUFFIXES

- |  |   |
|--|---|
| ___ -DX Dex-O-Tex Flange (ZN Only)   | ___ -VPS Vandal-Proof Strainer  |
| ___ -HD Stainless Steel Frame w/ Extra Heavy-Duty<br>Stainless Steel Grate (ZS Only) | ___ -1 (Less) Grate   |
| ___ -HP Heel-Proof Grate (ZN Only)   | ___ -2 1/2 Grate  |
| ___ -K Anchor Flange with Seepage Holes  | ___ -3 3/4 Grate  |
| ___ -KC Anchor Flange with Seepage Holes and<br>Clamp Collar                         | ___ -4 Full Grate w/ Center Opening (2 [51] Dia. for<br>Z) and (3-1/32 [77] Square for ZN & ZS) |
| ___ -P 1/2 [13] Trap Primer Connection (See Z1023)                                   | ___ -6 Grate w/ 6 [152] Dia. x 6 [152] High Funnel  |
| ___ -SA Stabilizer Assembly (See Z1903)  | ___ -8 Grate w/ 8-7/8 x 3-5/8 x 3-3/4<br>[225 x 92 x 95] High Oval Funnel                       |
| ___ -TC Neo-Loc Test Cap Gasket<br>(2,3,4 [51,76,102] NL Bottom Outlet Only)         | ___ -11 Vandal-Proof Secured Top (ZN & ZS Only)   |
|  | ___ -15 Solid Loose Set Cover (Z & ZN Only)   |
|  | ___ -19 Full Hinged Grate (ZN Only)   |

\* Regularly furnished unless otherwise specified.