



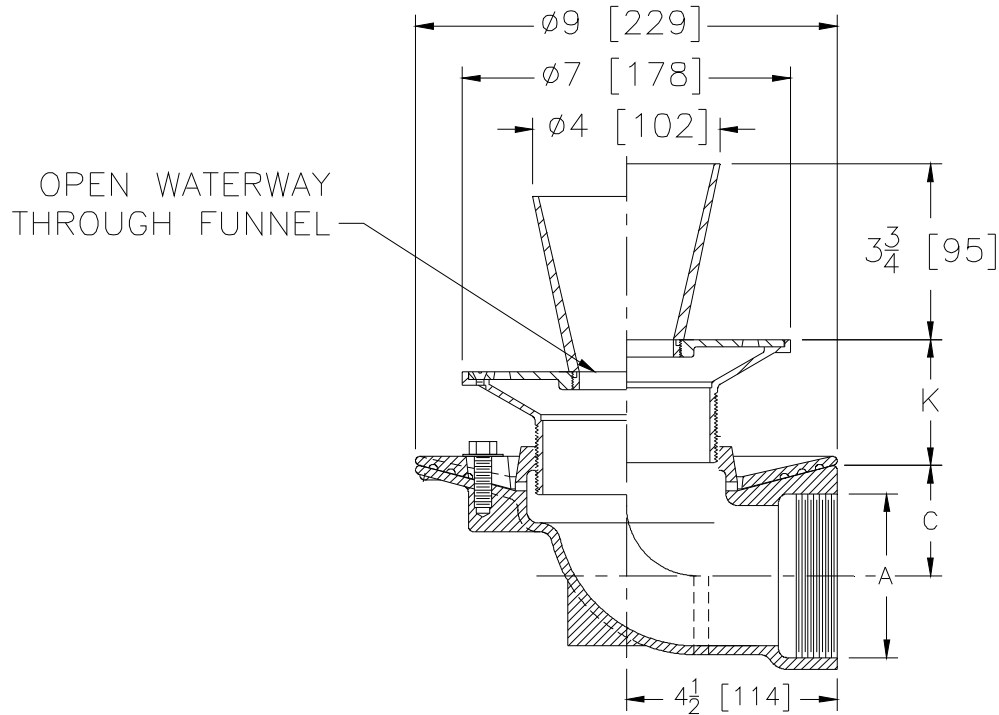
Z415E-90

BODY ASSEMBLY W/ SIDE OUTLET AND "TYPE E" STRAINER

SPECIFICATION SHEET

TAG _____

Dimensional Data (inches and [mm]) are Subject to Manufacturing Tolerances and Change Without Notice



Dimensions in Inches [mm]					Approx. Wt. Lbs. [kg]	Strainer Open Area Sq. In. [cm ²]
A Pipe Size	B Dia. Strainer	C	K			
			Min.	Max.		
2 [51]	5 [127]	3-1/4 [83]	1-1/8 [29]	2-1/8 [54]	13 [6]	5 [127]
3 [76]	6 [152]	2-3/4 [70]	1-1/4 [32]	2-1/2 [64]	14 [7]	5 [127]

ENGINEERING SPECIFICATION: ZURN ZN415E-90

Floor and shower drain, Dura-Coated cast iron body with side outlet, clamp collar with seepage slots and adjustable "TYPE E" polished, nickel bronze strainer with 4" [102mm] diameter funnel.

OPTIONS (Check/specify appropriate options)

PIPE SIZE

- 2,3,4 [51,76,102]
- 2,3,4 [51,76,102]
- 2 [51]
- 3 [76]
- 4 [102]
- 2,3,4 [51,76,102]
- 2,3,4 [51,76,102]

OUTLET (Specify size/type)

- _____ IC Inside Caulk
- _____ IG Inside Gasket
- _____ IP Threaded
- _____ IP Threaded
- _____ IP Threaded
- _____ NH No-Hub
- _____ NL Neo-Loc

'E' BODY HT. DIM.

- 3-7/8 [98]
- 3-7/8 [98]
- 2-3/8 [60]
- 2-5/8 [67]
- 2-7/8 [73]
- 3-7/8 [98]
- 3-3/4 [95]

PREFIXES

- _____ ZB D.C.C.I. Body Assembly w/ Polished Bronze Top
- _____ ZN D.C.C.I. Body Assembly w/ Polished Nickel Bronze Top*

SUFFIXES

- _____ -AR Acid Resisting Epoxy Coated Cast Iron
- _____ -G Galvanized Cast Iron
- _____ -SC Solid Cover
- _____ -VP Vandal-Proof Secured Top
- _____ -Y Sediment Bucket

* Regularly furnished unless otherwise specified.