



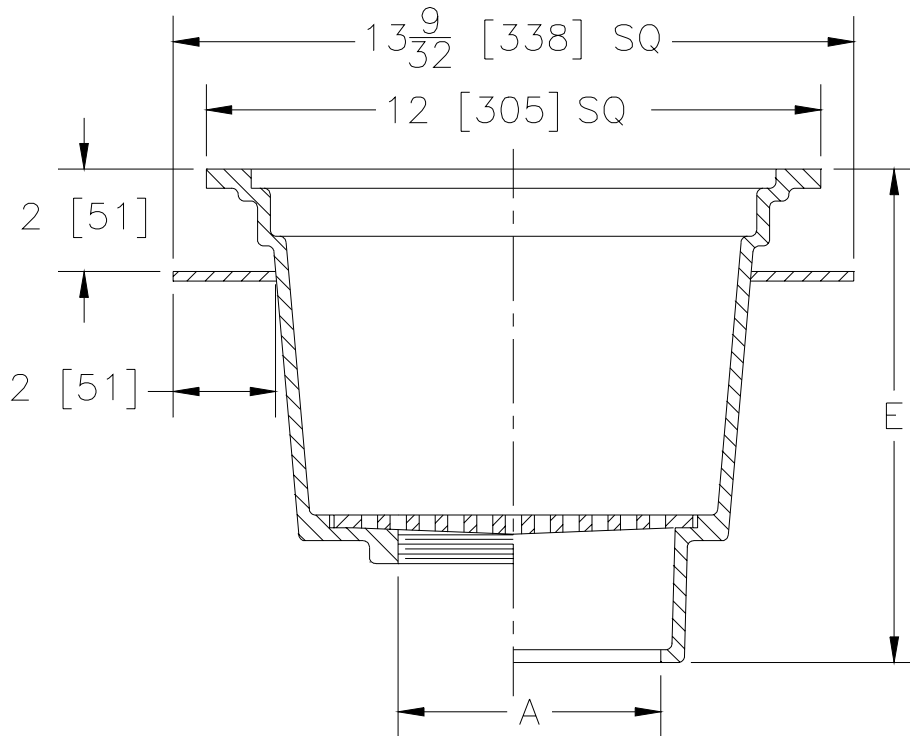
Z-566-80

12" [305] SQUARE OPEN TOP DRAIN

SPECIFICATION SHEET

TAG _____

Dimensional Data (inches and [mm]) are Subject to Manufacturing Tolerances and Change Without Notice



A- Pipe Size In.	Approx. Wt. Lbs. [kg]
2-3-4 [50-75-100]	42 [19]

ENGINEERING SPECIFICATION: ZURN Z-566-80 12 [305] Square open top drain, Dura-Coated cast iron body with bottom outlet and anchor flange, loose set cast iron secondary strainer.

OPTIONS (Check/specify appropriate options)

PIPE SIZE

- 2, 3, 4 [50, 75, 100]
- 2, 3, 4 [50, 75, 100]
- 3, 4 [75, 100]
- 2, 3, 4 [50, 75, 100]

(Specify size/type) **OUTLET**

- ___ IC Inside Caulk
- ___ IG Inside Caulk w/Sealtrol Gskt.
- ___ IP Threaded
- ___ NL Neo-Loc

'E' BODY HT. DIM.

- 9 5/8 [244]
- 9 5/8 [244]
- 7 5/8 [194]
- 9 [229]

PREFIXES

- ___ Z- D.C.C.I. Body and Grate*
- ___ ZB- D.C.C.I. Body with Polished Bronze Grate (Add 3/16 [5] to 'E' Dim.)
- ___ ZN- D.C.C.I. Body with Polished Nickel Bronze Grate (Add 3/16 [5] to 'E' Dim.)

SUFFIXES

- ___ -AR Acid Resisting Epoxy Coated Finish
- ___ -BT Bell Trap Bucket
- ___ -G Galvanized Cast Iron
- ___ -TG Top Grate
- ___ -Y Sediment Bucket

REV.	DATE: 8/11/98	C.N. NO. 80948
DWG. NO. P-14657 PRODUCT NO. Z-566-80		

*REGULARLY FURNISHED UNLESS OTHERWISE SPECIFIED