



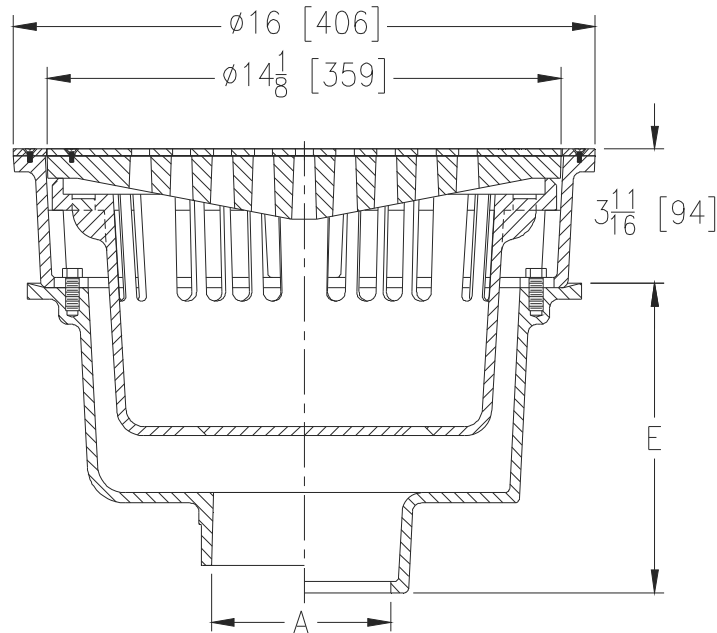
Z543-93

16 [406] DIAMETER HEAVY-DUTY DRAIN WITH STAINLESS STEEL VENEER

SPECIFICATION SHEET

TAG _____

Dimensional Data (inches and [mm]) are Subject to Manufacturing Tolerances and Change Without Notice



A Pipe Size Inches	Approx. Wt. Lbs. [kg]	Grate Open Area Sq. In. [cm ²]
3-4-5-6 [76-102-127-152]	135 [61]	50 [323]

ENGINEERING SPECIFICATION: ZURN ZS543-93

16 [406] Diameter top drain, Dura-Coated cast iron deep sump body with bottom outlet, seepage pan and combination membrane flashing clamp and frame for heavy-duty cast iron slotted grate with stainless steel veneer, and suspended sediment bucket.

OPTIONS (Check/specify appropriate options)

PIPE SIZE

- 3-4-5-6 [76-102- 127-152]
- 3-4-6 [76-102-152]
- 3-4-5-6 [76-102- 127-152]
- 3-4-5-6 [76-102- 127-152]
- 3-4 [76-102]

(Specify size/type) **OUTLET**

- ___ IC Inside Caulk
- ___ IG Inside Gasket.
- ___ IP Threaded
- ___ NH No-Hub
- ___ NL Neo-Loc

'E' BODY HT. DIM.

- 8-1/2 [216]
- 8-1/2 [216]
- 7 [178]
- 8-1/2 [216]
- 7-3/4 [197]

PREFIXES

- ___ ZS D.C.C.I. Body with Polished Stainless Steel Top*

SUFFIXES

- ___ -DG Duresist Grate
- ___ -G Galvanized Cast Iron
- ___ -P Trap Primer Connection
- ___ -TC Neo-Loc Test Cap Gasket (3 [76] - 4 [102] NL Bottom Outlet Only)
- ___ -TS Top Secured With Slotted Screws
- ___ -V Backwater Valve (See Z1099)
- ___ -VP Vandal-Proof Secured Top
- ___ -90 90° Threaded Side Outlet (See Z1042)

* Regularly furnished unless otherwise specified.