



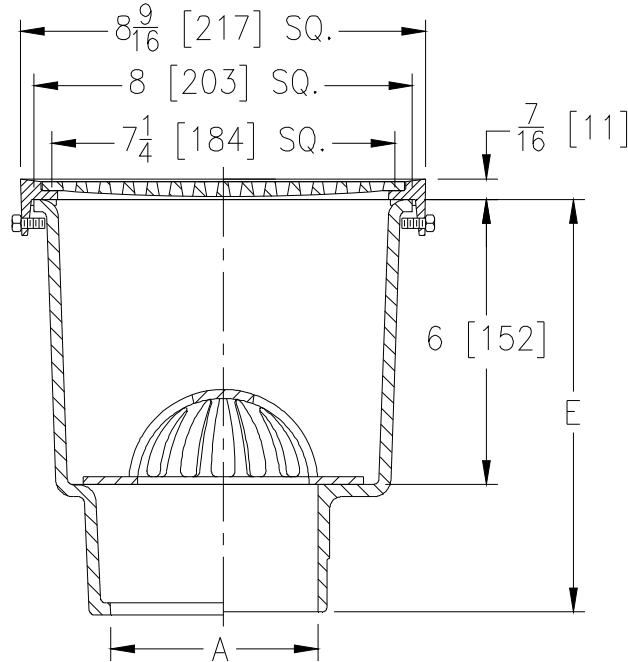
ZN1910-11

8-9/16 X 8-9/16 [217 X 217] A.R.E. SANI-FLOR RECEPTOR
6 [152] SUMP DEPTH W/ NICKEL BRONZE FRAME AND
VANDAL-PROOF SECURED GRATE

SPECIFICATION SHEET

TAG _____

Dimensional Data (inches and [mm]) are Subject to Manufacturing Tolerances and Change Without Notice



A Pipe Size In. [mm]	Approx Wt. Lbs. [kg]	Grate Open Area Sq. In. [cm ²]
2,3,4 [51,76,102]	34 [15]	18 [116]

ENGINEERING SPECIFICATION: ZURN ZN1910-11

Sani-Flor Receptor 8" x 8" x 6" [203mm x 203mm x 152mm] deep cast iron body with white acid resisting porcelain enamel interior, black ground enamel exterior coating, with 8-9/16" x 8-9/16" [217mm x 217mm] nickel bronze frame and full vandal-proof secured grate, complete with white ABS anti-splash interior bottom dome strainer.

OPTIONS (Check/specify appropriate options)

PIPE SIZE

- 3,4 [76,102]
- 2,3,4 [51,76,102]
- 2,3,4 [51,76,102]

(Specify size/type) **OUTLET**

- ___ IC Inside Caulk
- ___ NH No-Hub
- ___ NL Neo-Loc

'E' BODY HT. DIM.

- 9-1/4 [235]
- 9-1/8 [232]
- 8-1/2 [216]

PREFIXES

- ___ ZN Cast Iron Body with White A.R.E. Interior, 8-9/16 [217] Square N.B. Frame and Vandal-Proof Grate with 5/16 [8] Square Openings.*

SUFFIXES

- | | | | |
|---------|--|---------|--|
| ___ -DX | Dex-O-Tex Flange | ___ -15 | Solid Loose Set Cover |
| ___ -K | Anchor Flange | ___ -19 | Full Hinged Grate |
| ___ -KC | Anchor Flange with Seepage Holes and Clamp Collar | ___ -23 | Aluminum Bucket |
| ___ -LD | Less Bottom Dome Strainer | ___ -25 | White A.R.C. Bucket |
| ___ -P | 1/2 [13] Trap Primer Connection (See Z1023) | ___ -31 | Stainless Steel Mesh Liner for Bucket |
| ___ -TC | Neo-Loc Test Cap Gasket
(2,3,4 [51,76,102] NL Bottom Outlet Only) | ___ -32 | Aluminum Dome Strainer |
| ___ -2 | 1/2 Grate | ___ -33 | White A.R.C. Anti-Splash Bottom
Dome Strainer |
| ___ -3 | 3/4 Grate | | |
| ___ -4 | Full Grate with Square Center Opening | | |
| ___ -6 | Grate w/ 6 [152] Dia. x 6 [152] High Funnel | | |
| ___ -8 | Grate w/ 8-7/8 x 3-5/8 x 3-3/4 [225 x 92 x 95]
High Oval Funnel | | |

* Regularly furnished unless otherwise specified.