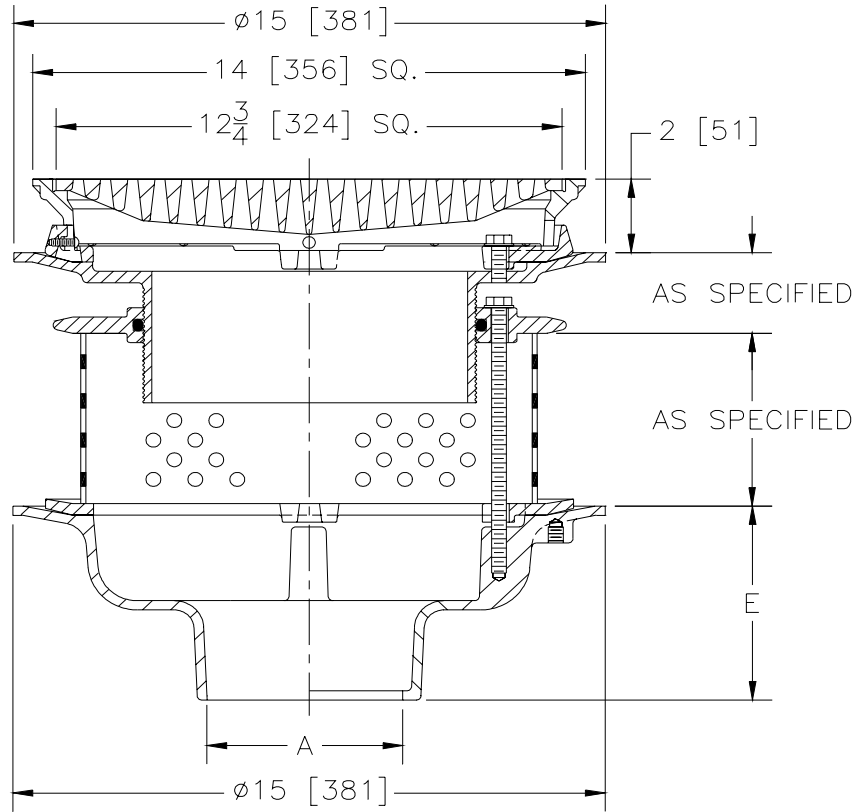




Z-150-102 15" DIAMETER DRAIN

TAG _____

Dimensional Data (inches and [mm]) are Subject to Manufacturing Tolerances and Change Without Notice



A- Pipe Size In.	Approx. Wt. Lbs	Grate Open Area Sq. In.
2-3-4-5-6-8-10	82	48

ENGINEERING SPECIFICATION: ZURN Z-150-102 15" Diameter roof drain. Dura-Coated cast iron body, adjustable extension, clamping collar with o-ring groove, flat clamping collar, perforated extension, secondary clamping collar, frame and grate.

OPTIONS (Check/specify appropriate options)

OUTLET (Specify type)

- _____ **IC** Inside Caulk
- _____ **IG** Inside Caulk w/Sealtrol Gskt.
- _____ **IP** Threaded
- _____ **NH** No-Hub
- _____ **NL** Neo-Loc

PIPE SIZE (Specify size)

- _____ 2" thru 6", 8", 10"
- _____ 2" thru 4", 6"
- _____ 2" thru 6", 8", 10"
- _____ 2" thru 6", 8", 10"
- _____ 2" thru 4"

'E' BODY HT. DIMENSION

- 5-1/4"
- 5-1/4"
- 3-3/4"
- 5-1/4"
- 4-5/8"

PREFIXES

- _____ **Z-** D.C.C.I. Body with Grate*
- _____ **ZB-** D.C.C.I. Body with Polished Bronze Grate (Add 3/16" to 2" Dim.)
- _____ **ZN-** D.C.C.I. Body with Polished Nickel Bronze Grate (Add 3/16" to 2" Dim.)

SUFFIXES

- _____ **-AC** Angular Underdeck Clamp
- _____ **-C** Underdeck Clamp
- _____ **-DG** Duresist Grate
- _____ **-G** Galvanized Cast Iron
- _____ **-VP** Vandal Proof Secured Top
- _____ **-90** 90° Threaded Side Outlet Body

*REGULARLY FURNISHED UNLESS OTHERWISE SPECIFIED

REV.	DATE: 8/17/94	C.N. NO. 69957
DWG. NO. P-14019 PRODUCT NO. Z-150-102		