



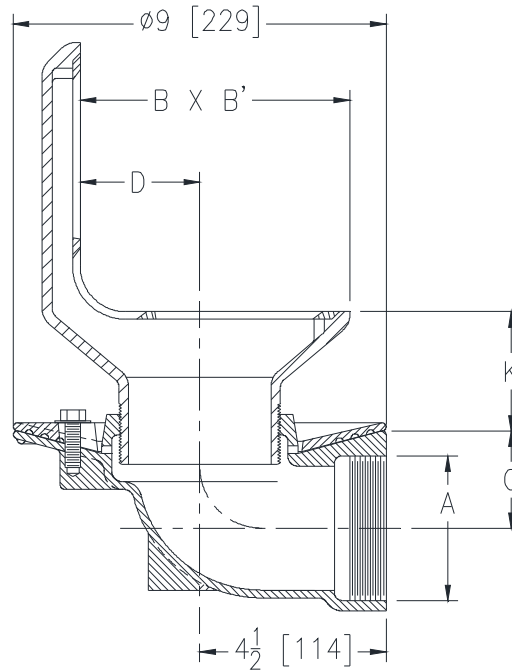
Z415K-90

FLOOR & SHOWER DRAIN W/ "TYPE K" STRAINER AND SIDE OUTLET

SPECIFICATION SHEET

TAG _____

Dimensional Data (inches and [mm]) are Subject to Manufacturing Tolerances and Change Without Notice



| Dimensions in In [mm] | | | | | | Approx. Wt. Lbs. [kg] | Strainer Open Area Sq. In. [cm ²] |
|-----------------------|-----------------------|------------|--------------|------------|-------------|-----------------------|---|
| A Pipe Size | B X B' | C | D | K | | | |
| | | | | Min. | Max. | | |
| 2,3[38,52,76] | 3-3/4 X 5 [102 X 127] | 3-1/2 [89] | 1-7/32 [31] | 1-3/4 [44] | 2-7/8 [73] | 18 [8] | 11 [71] |
| 2,3[38,52,76] | 6-5/8 X 7 [178 X 178] | 3-1/4 [83] | 2-15/32 [63] | 3-1/8 [79] | 4-1/4 [108] | 25 [11] | 29 [187] |

ENGINEERING SPECIFICATION: ZURN Z415K-90

Floor and shower drain. Dura-Coated cast iron body with side outlet, clamp collar, and adjustable "TYPE K" polished, nickel bronze angular strainer.

OPTIONS (Check/specify appropriate options)

PIPE SIZE

2 [50]

3 [75]

(Specify size) OUTLET

_____ IP Threaded

_____ IP Threaded

PREFIXES

_____ ZB D.C.C.I. Body Assembly w/Polished Bronze Top

_____ ZN D.C.C.I. Body Assembly w/Polished Nickel Bronze Top*

SUFFIXES

_____ -AR Acid Resisting Epoxy Coated Cast Iron

_____ -G Galvanized Cast Iron

_____ -U 1 - 3 [25 - 76] High Extension Adapter

_____ -V Backwater Valve

_____ -VP Vandal-Proof Secured Top

_____ -Y Sediment Bucket

* Regularly furnished unless otherwise specified.