



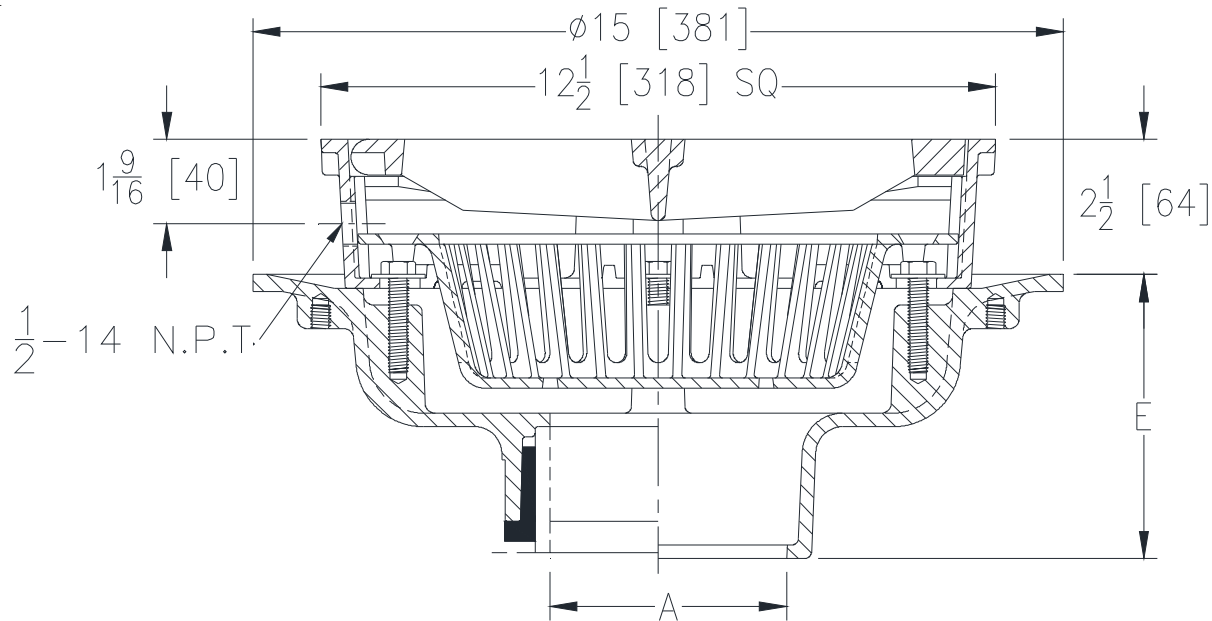
Z610-P-YC

12-1/2 [318] HEAVY-DUTY DRAIN W/ 1/2-14 N.P.T. TRAP
PRIMER CONN. & CAST IRON SEDIMENT BUCKET

SPECIFICATION SHEET

TAG _____

Dimensional Data (inches and [mm]) are Subject to Manufacturing Tolerances and Change Without Notice



A - Pipe Size in. [mm]	Approx. Wt. Lbs. [kg]	Grate Open Area Sq. In. [cm ²]
2, 3, 4, 6 [51, 76, 102, 152]	54 [24]	42 [271]
8 [203]	56 [25]	

ENGINEERING SPECIFICATION: ZURN Z610-P-YC

12-1/2" [318mm] Square top drain, Dura-Coated cast iron body with bottom outlet, 1/2-14 N.P.T. trap primer connection, seepage pan and combination membrane flashing clamp and frame for heavy-duty cast iron loose slotted grate, with suspended cast iron sediment bucket.

OPTIONS (Check/specify appropriate options)

PIPE SIZE

- 3, 4, 6 [76, 102, 152]
- 3, 4, 6 [76, 102, 152]
- 2, 3, 4, 6 [51, 76, 102, 152]
- 2, 3, 4, 6, 8 [51, 76, 102, 152]
- 2, 3, 4 [51, 76, 102]

(Specify size/type) OUTLET

- ___ IC Inside Caulk
- ___ IG Inside Gasket
- ___ IP Threaded
- ___ NH No-Hub
- ___ NL Neo-Loc

'E' BODY HT. DIM.

- 5-1/4 [133]
- 5-1/4 [133]
- 3-3/4 [95]
- 5-1/4 [133]
- 4-5/8 [117]

PREFIXES

- ___ Z D.C.C.I. Body and Top*
- ___ ZB D.C.C.I Body w/Polished Bronze Top (Add 3/16 [5] to 2-1/2 [64] Dim. and 3/4 [19] to 12-1/2 [318] Dim.)
- ___ ZN D.C.C.I Body w/Polished Nickel Bronze Top (Add 3/16 [5] to 2-1/2 [64] Dim. and 3/4 [19] to 12-1/2 [318] Dim.)

SUFFIXES

- | | |
|---|---|
| ___ -AR Acid Resistant Epoxy Coated Cast Iron | ___ -LY (Less) Sediment Bucket |
| ___ -DG Duresist Grate | ___ -S Secondary Strainer |
| ___ -DS Ductile Iron Solid Cover | ___ -SC Solid Cover |
| ___ -DX Dex-o-tex Flange (ZB, ZN Only) | ___ -SS Stainless Steel Mesh Liner for Bucket |
| ___ -F 2 [51] High Extension | ___ -TC Neo-Loc Test Cap Gasket
(2 [51] - 4 [102] NL Bottom Outlet Only) |
| ___ -G Galvanized Cast Iron | ___ -TS Top Secured with Slotted Screws |
| ___ -H Hinged Grate | ___ -V Backwater Valve (See Z1099) |
| ___ -HC Hinged Solid Cover | ___ -VP Vandal-Proof Secured Top |
| ___ -HL Hinged Locking Grate | ___ -90 90° Threaded Side Outlet Body |
| ___ -HLC Hinged Locking Cover | |

* Regularly furnished unless otherwise specified.

Zurn Industries, LLC | Specification Drainage Operation
1801 Pittsburgh Avenue, Erie, PA U.S.A. 16502 · Ph. 855-663-9876, Fax 814-454-7929
In Canada | Zurn Industries Limited
3544 Nashua Drive, Mississauga, Ontario L4V 1L2 · Ph. 905-405-8272, Fax 905-405-1292
www.zurn.com

Rev. A
Date: 10/09/2017
C.N. No. 138545
Prod. | Dwg. No. Z610-P-YC